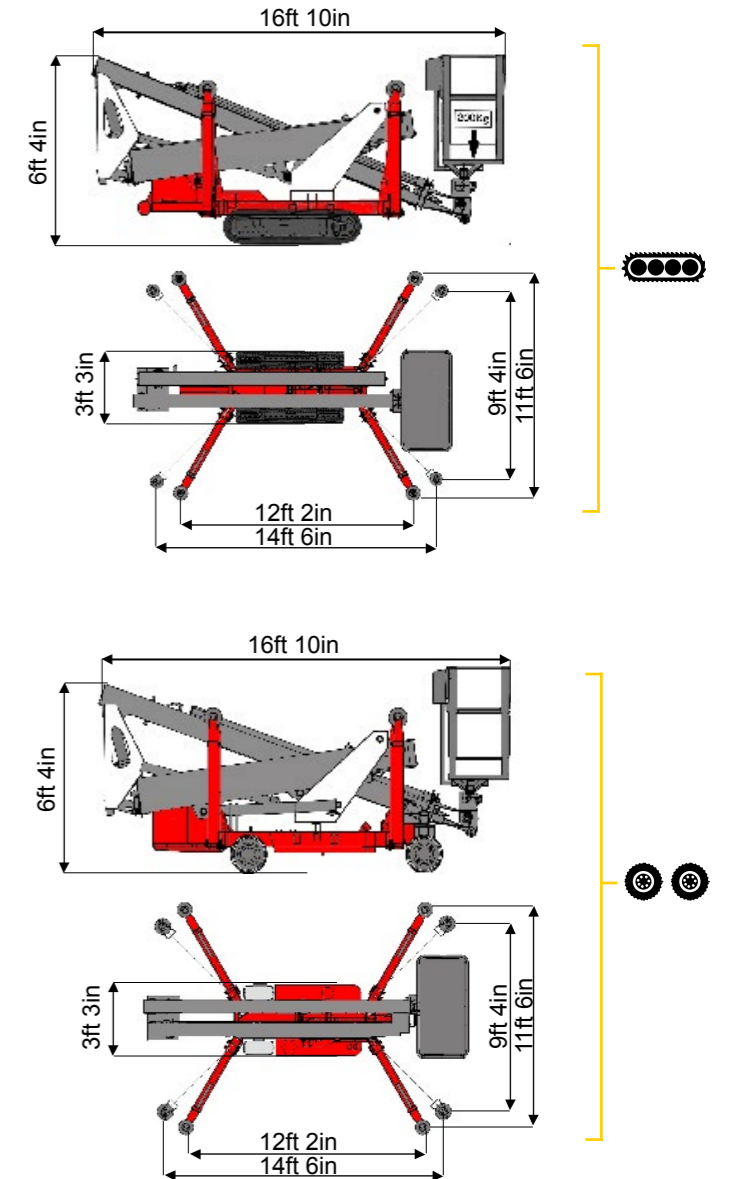
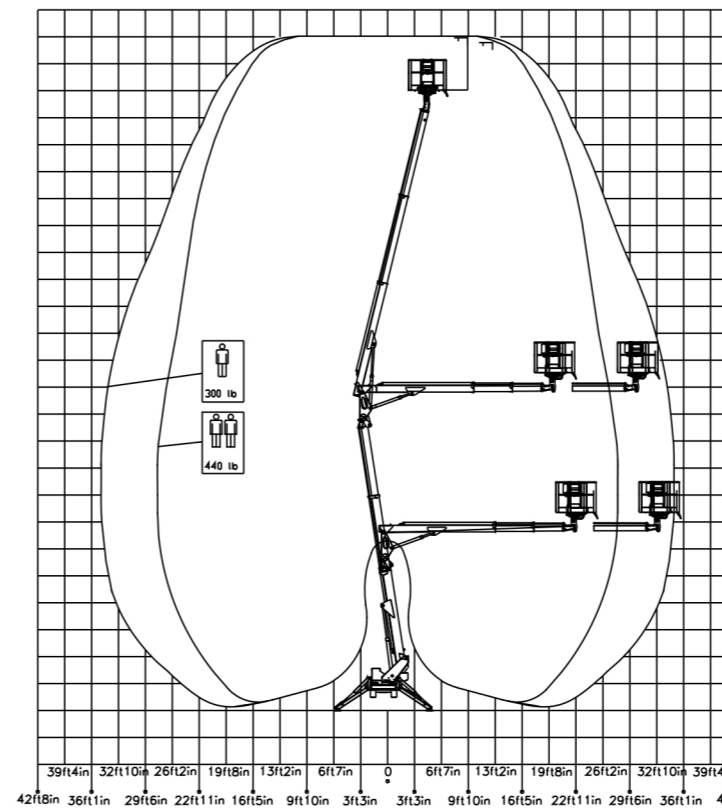


<< go back



**82ft** ↑  
**34ft 9in** →  
**440 lb** 👤 👤



BI-ENERGY Diesel+AC															
<b>TZX 730/C</b>	82ft	34ft 9in	440 lb	360°	4ft 7inx2ft 4in	90°+90°	9ft 4in-11ft 6in	19%	23%	1,49 mph	5864 lb	4299 lb	41,9 psf	76 psf	
<b>TZX 730/R</b>	82ft	34ft 9in	440 lb	360°	4ft 7inx2ft 4in	90°+90°	9ft 4in-11ft 6in	19%	21%	0,93 mph	5864 lb	4299 lb	41,9 psf	76 psf	

Available version:

BI-ENERGY (DIESEL+AC)  
ECO (DC+AC)

**AERIAL TITANS** 866-874-0584  
WWW.AERIALTITANS.COM

Characteristics and technical data are informative only and subjected to change without notice.



COMPANY WITH  
QUALITY SYSTEM  
CERTIFIED BY DNV GL  
= ISO 9001 =

Palazzani Industrie S.p.A.  
Via del Pavione, 4 - 25050 - Paderno F.C. (BS) - Italy  
Tel. (+39) 0306857073  
platforms@palazzani.it  
[www.palazzani.it](http://www.palazzani.it)