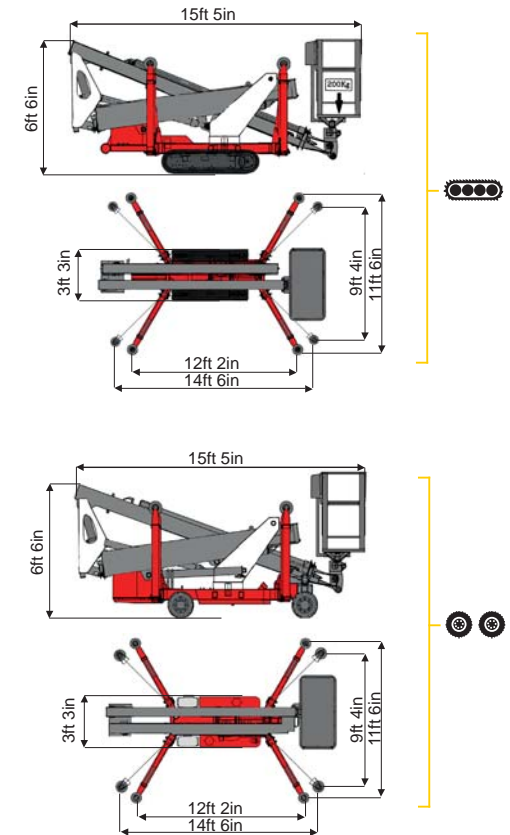
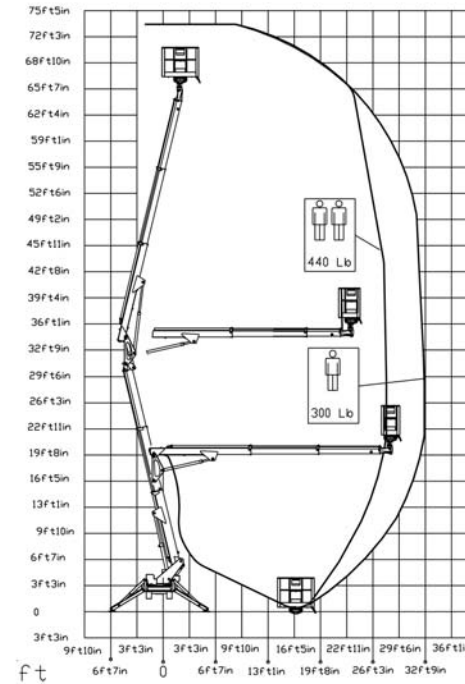


<< go back



73ft 10in ↑  
33ft 6in →  
440 lb 🧑🧑



BI-ENERGY  
Diesel+AC



TZX 730/C		73ft 10in	33ft 6in	440 lb	360°	4ft 7inx2ft 4in	90°+90°	9ft 4in-11ft 6in	19%	23%	1,49 mph	5512 lb	4299 lb	39,39 psf	77,88 psf
TZX 730/R		73ft 10in	33ft 6in	440 lb	360°	4ft 7inx2ft 4in	90°+90°	9ft 4in-11ft 6in	19%	21%	0,93 mph	5512 lb	4299 lb	39,39 psf	77,88 psf

Available version:

BI-ENERGY (DIESEL+AC)  
ECO (DC+AC)

**AERIAL TITANS**  
866-874-0584  
WWW.AERIALTITANS.COM



**Palazzani**  
INDUSTRIE

COMPANY WITH  
QUALITY SYSTEM  
CERTIFIED BY DNV GL  
= ISO 9001 =

Palazzani Industrie S.p.A.  
Via del Pavione, 4 - 25050 - Paderno F.C. (BS) - Italy  
Tel. (+39) 0306857073  
platforms@palazzani.it  
www.palazzani.it