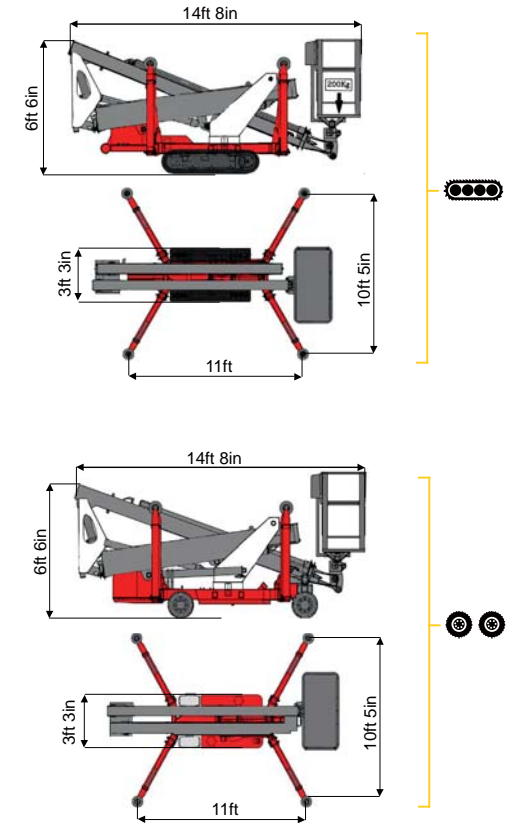
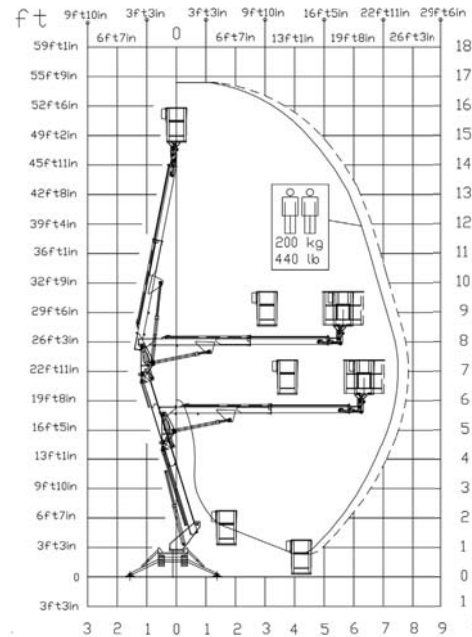


<< go back



BI-ENERGY
Diesel+AC



TZX 550/C



55ft 9in

25ft 7in

440 lb

360°

4ft 7inx2ft 4in

90°+90°

10ft 5in

18%

31%

1,49 mph

4409 lb

2866 lb

38,29 psf

65,48 psf

TZX 550/R



55ft 9in

25ft 7in

440 lb

360°

4ft 7inx2ft 4in

90°+90°

10ft 5in

18%

25%

1,24 mph

4409 lb

2866 lb

38,29 psf

65,48 psf

Available version:

BI-ENERGY (DIESEL+AC)
ECO (DC+AC)

Characteristics and technical data are informative only and subjected to change without notice.



COMPANY WITH
QUALITY SYSTEM
CERTIFIED BY DNV GL
= ISO 9001 =

Palazzani Industrie S.p.A.
Via del Pavione, 4 - 25050 - Paderno F.C. (BS) - Italy
Tel. (+39) 0306857073
platforms@palazzani.it
www.palazzani.it