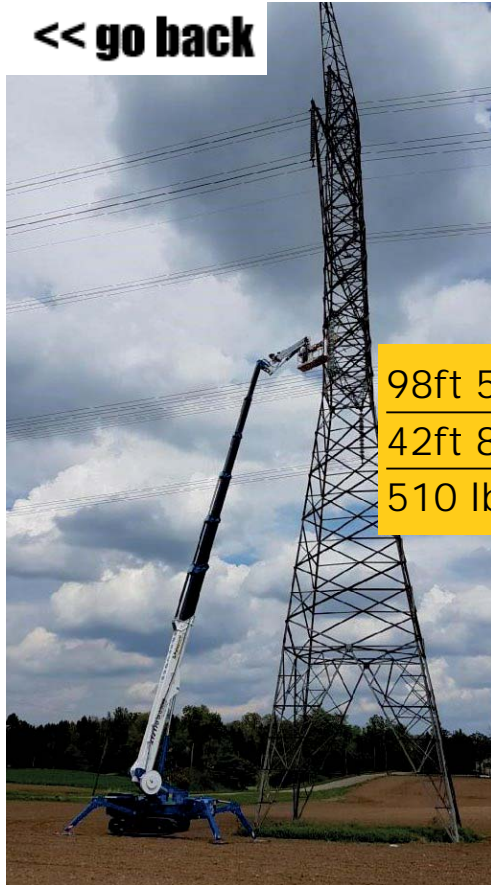
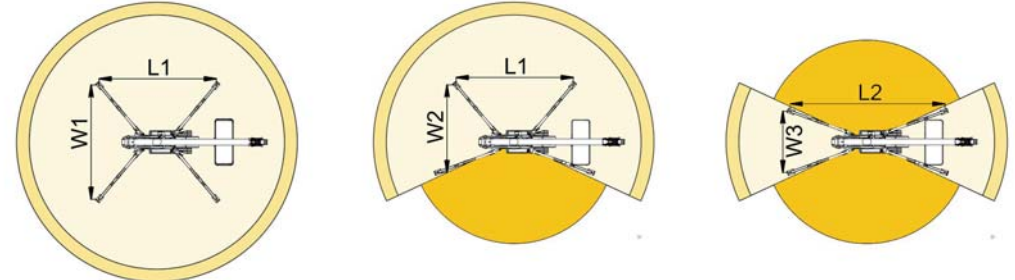
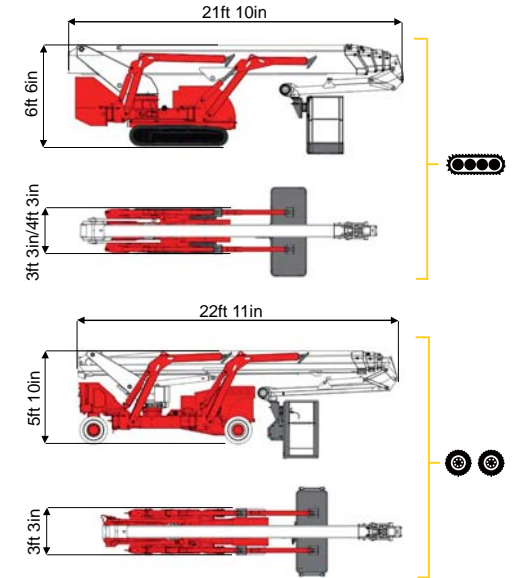
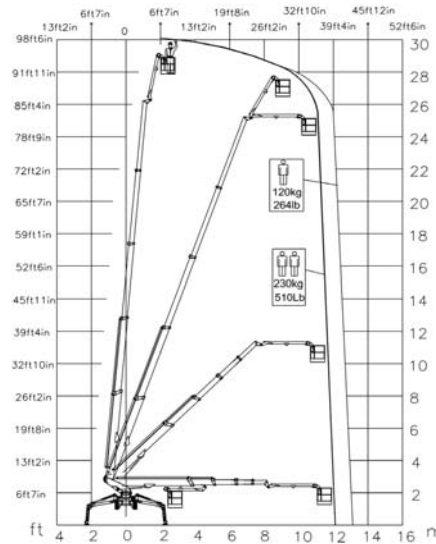


<< go back



98ft 5in ↑
42ft 8in →
510 lb 👤 👤



39ft 4in	42ft 8in	26ft 3in	L1	L2	W1	W2	W3
510 lb	264 lb	264/510 lb	16ft 2in	21ft 1in	15ft 9in	12ft 7in	9ft 5in

BI-ENERGY
Diesel+AC



TSJ 98/C	🔋	98ft 5in	42ft 8in	510 lb	170°	660°	5ft 11inx2ft 4in	90°+80°	9ft 5in-15ft 9in	44%	42%	0,75 mph	10251 lb	6393 lb	40,35 psf	79,49 psf
TSJ 98/R	⊙ ⊙	98ft 5in	42ft 8in	510 lb	170°	660°	5ft 11inx2ft 4in	90°+80°	9ft 5in-15ft 9in	44%	29%	0,75 mph	10670 lb	6393 lb	42 psf	78,84 psf

Available version:

BI-ENERGY (DIESEL+AC)
ECO (DC+AC)
HYBRID (DIESEL+DC)

AERIAL TITANS
866-874-0584
WWW.AERIALTITANS.COM

Characteristics and technical data are informative only and subjected to change without notice.

