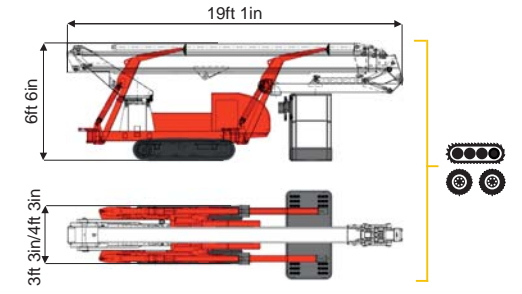
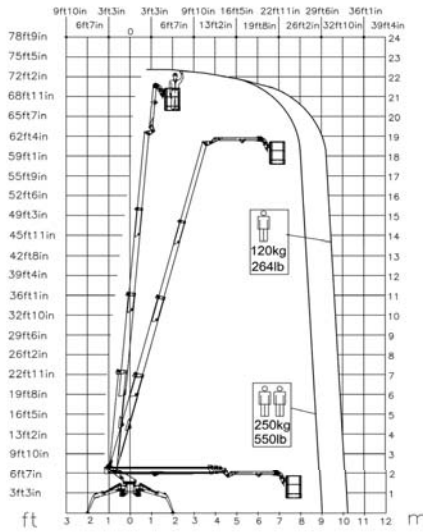


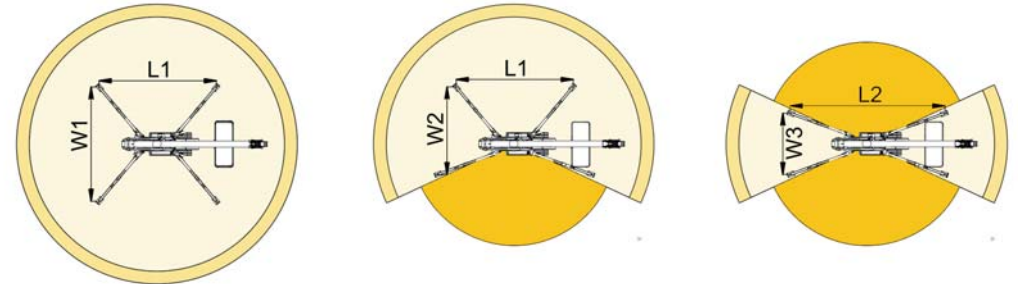
<< go back



73ft 2in ↑
33ft 6in →
550 lb 🧑🧑



AERIAL TITANS 866-874-0584
WWW.AERIALTITANS.COM



29ft 6in	33ft 6in	19ft 8in	L1	L2	W1	W2	W3
550 lb	264 lb	550/264 lb	16ft 1in	20ft 6in	14ft 3in	10ft 12in	9ft

BI-ENERGY
Diesel+AC



TSJ 75/C-R 73ft 2in 33ft 6in 550 lb 170° 660° 4ft 11inx2ft 4in 90°+80° 9ft-14ft 3in 36% 29% 1,49 mph 6834 lb 4189 lb 29,78 psf 72,8 psf

Available version:

- BI-ENERGY (DIESEL+AC)
- ECO (DC+AC)
- HYBRID (DIESEL+DC)

Characteristics and technical data are informative only and subjected to change without notice.

