

<< go back

niftylift

SP50 4x4



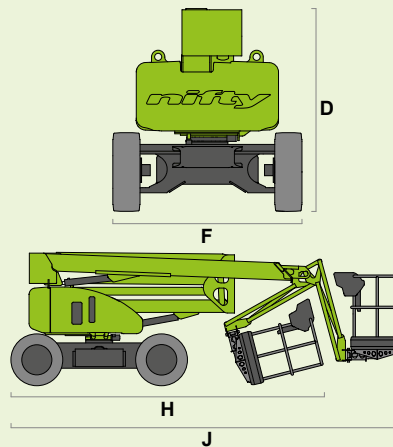
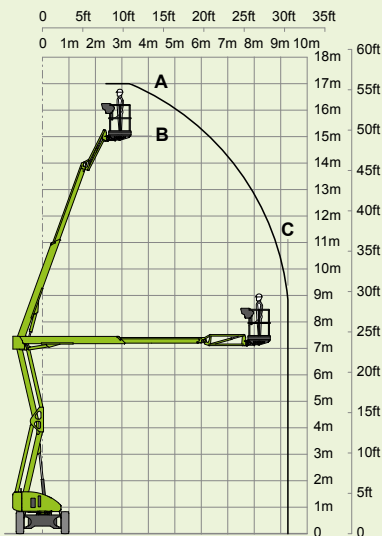
AERIAL TITANS

866-874-0584

WWW.AERIALTITANS.COM



Niftylink®



SiOPS® Niftylink®
toughcage Gen² Hybrid

(A) 56ft 6in



(B) 50ft



(C) 31ft



500lbs



5ft 11in x 2ft 9in



150°



180°



(D) 6ft 11in



(F) 6ft 7in



(H) 15ft 9in



(J) 20ft 10in



3.7mph



12ft 2in



45%
24°



11290lbs



Hybrid²



niftylift
 1525 S. Buncombe Road,
 Greer, SC - 29651
 United States
 1-800-643-8954
 usasales@niftylift.com
 www.niftylift.com



AERIAL TITANS
 866-874-0584
 WWW.AERIALTITANS.COM