

<< go back

# niftylift



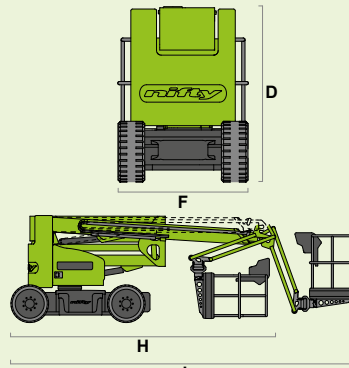
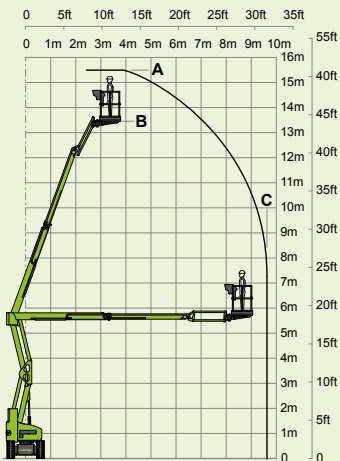
## AERIAL TITANS

866-874-0584

WWW.AERIALTITANS.COM



Niftylink®



SiOPS® All-Electric  
toughcage Gen<sup>2</sup> Hybrid  
Niftylink®

# SP45N



(A) 51ft



(B) 44ft



(C) 32ft



500lbs



4ft 11in x 2ft 8in



150°



180°



(D) 6ft 6in



(F) 4ft 11in



(H) 16ft 2in



(J) 21ft



2.2mph



11ft 6in



25%  
14°



15980lbs



Hybrid<sup>2</sup>



**niftylift**  
1525 S. Buncombe Road,  
Greer, SC - 29651  
United States  
1-800-643-8954  
usasales@niftylift.com  
www.niftylift.com

nqa. ISO 9001 QUALITY MANAGEMENT	nqa. ISO 14001 ENVIRONMENTAL MANAGEMENT	nqa. ISO 45001 HEALTH & SAFETY MANAGEMENT
--	---	---

**AERIAL TITANS**  
866-874-0584  
WWW.AERIALTITANS.COM