

AERIAL TITANS

866-874-0584

WWW.AERIALTITANS.COM

<< go back



SJ30 ARJE

ELECTRIC ARTICULATING BOOM

STANDARD FEATURES

- EASYDRIVE™ Direction sensing drive and steer controls
- SKYRISER™ True vertical rise
- Direct AC electric drive
- Speed and angle sensing traction control
- Drivable at full height
- 35% Gradeability
- Dual spring applied, electromagnetically released brakes
- Relay based control system with SKYCODED™ color coded and numbered wiring
- 48V 305 Ah Battery pack
- Swing out battery trays
- Swing out cowlings for easy access
- Proportional controls
- Function speed selector
- 30" x 46" Platform
- Bolt-in platform railing system
- Lanyard attachment points
- Rear-entry sliding mid rail
- Secondary Guarding Electrical (SGE)
- Overload sensing system
- 110V AC Outlet on platform with GFI
- Tilt alarm (3.0° x 2.0°) with drive and lift cut-out
- Powered emergency lowering
- Hourmeter
- Operator horn
- All motion alarm
- 355° Non-continuous turret rotation
- Tie down / lifting lugs
- 22 x 7 x 12 Solid rubber, non-marking tires
- Telematics ready
- 2-Year Gold Leaf Warranty (5-year structural warranty)

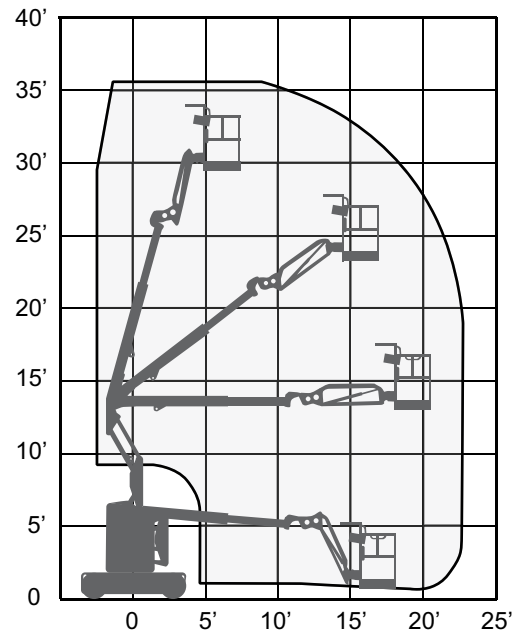
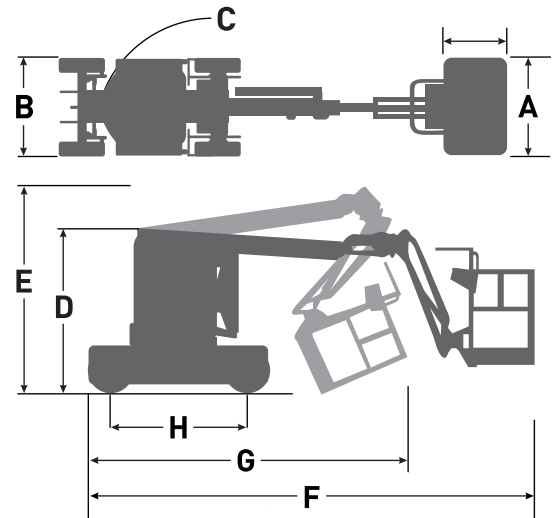
OPTIONS

- Pipe rack
- Tool caddy
- Flashing light
- Rear spring hinged entry gate
- 360 Ah Batteries
- 330 Ah AGM Batteries
- Bio oil
- 1000W AC Inverter
- Half height mesh platform
- Control box cover
- Non-destructive testing
- ELEVATE telematics

† Standard lead times may be increased when optional equipment is added, consult factory.
‡ Capacities and machine weights may differ when options are added.

SJ30 ARJE ELECTRIC ARTICULATING BOOM

Dimensions	SJ30 ARJE
Work Height	35' 6" (10.82 m)
Platform Height	29' 6" (9.00 m)
Horizontal Reach	20' 7" (6.26 m)
Up and Over Height	13' 1" (3.99 m)
A Platform Size	30" x 46" (0.76 m x 1.17 m)
B Stowed Width	47" (1.19 m)
C Tailswing	0
D Stowed Height	6' 6" (1.98 m)
E Transport Height	8' 2" (2.50 m)
F Stowed Length	18' 1" (5.51 m)
G Transport Length	12' 5" (3.78 m)
H Wheelbase	5' 5" (1.65 m)
Ground Clearance	4" (10.16 cm)
Specifications	SJ30 ARJE
Turret Rotation	355° NC
Platform Rotation	180°
Jib Length	4' 1" (1.25 m)
Jib Range of Motion - Vertical	142° (+77°/-65°)
Jib Range of Motion - Horizontal	180°
Weight	12,320 lbs (5,588 kg)
Gradeability - Counterweight Facing Up	35%
Gradeability - Counterweight Facing Down	25%
Turning Radius (Inside)	5' (1.52 m)
Turning Radius (Outside)	10' 7" (3.23 m)
Drive Speed (Stowed)	3.0 mph (4.8 km/h)
Drive Speed (Elevated/Extended)	0.4 mph (0.64 km/h)
Capacity	500 lbs (227 kg)
Local Floor Load (With Rated Load)	218 psi (15.33 kg/sq cm)
Overall Floor Load (With Rated Load)	451 psf (2,203 kg/sq m)
Maximum # of Persons (Indoors/Outdoors)	2/1
Wind Rating	28 mph (12.5 m/s)
Tire Type	Solid, N/M
Tire Size	22 x 7 x 12



SJ30 ARJE WORKING ENVELOPE

Skyjack Head Office
55 Campbell Rd. Guelph, ON Canada N1H 1B9
Sales Inquiries: 1-877-755-4387 (1-877-SJLIFTS)
Main Switchboard: 1-800-265-2738
Phone: 519-837-0888
Fax: 519-837-8104
Email: skyjack@skyjack.com

www.skyjack.com

