

R SERIES

R1932i/R1932/R2632/R3246/R4045 ELECTRIC SCISSOR LIFTS

AERIAL TITANS

866-874-0584

WWW.AERIALTITANS.COM

<< go back

Performance

Platform Height—Elevated (Indoor / Outdoor)

R1932i	19 ft / NA	5.8 m / NA
R1932	19 ft / 21 ft	5.8 m / 6.4 m
R2632	25 ft 6 in. / 19 ft	7.8 m / 5.8 m
R3246	32 ft / 32 ft	9.8 m / 9.8 m
R4045	39 ft 3 in. / 29 ft	12 m / 8.8 m

Platform Capacity (Indoor / Outdoor)

R1932i	507 lb / NA	230 kg / NA
R1932	507 lb / 507 lb	230 kg / 230 kg
R2632	507 lb / 275 lb	230 kg / 125 kg
R3246	705 lb / 507 lb	320 kg / 230 kg
R4045	770 lb / 550 lb	350 kg / 250 kg

Capacity on Platform Extension

R1932i / R1932 / R2632 / R3246	265 lb	120 kg
R4045	250 lb	113 kg

Number of Occupants (Indoor / Outdoor)

R1932i	1 / 0
R1932 / R2632 / R3246	2 / 1
R4045	3 / 1

Lift/Lower Time

R1932i / R1932	22/24 seconds
R2632	32/24 seconds
R3246	46/33 seconds
R4045	70/35 seconds

Maximum Drive Height (Indoor)

Maximum Drive Height (Outdoor)

R1932i	N/A	
R1932	Fully Elevated	
R2632	21 ft	6.40 m
R3246	Fully Elevated	
R4045	29 ft	8.8 m

Weight*

R1932i	2,675 lb	1,213 kg
R1932	3,353 lb	1,521 kg
R2632	4,310 lb	1,955 kg
R3246	5,410 lb	2,454 kg
R4045	7,000 lb	3,175 kg

Ground Bearing Pressure

R1932i	103 psi	7.2 kg/cm ²
R1932	114 psi	8.0 kg/cm ²
R2632	92 psi	6.2 kg/cm ²
R3246	131 psi	9.2 kg/cm ²
R4045	135 psi	9.5 kg/cm ²

Drive Speed—Elevated

Drive Speed—Lowered

R1932i/R1932	2.1 mph	3.4 km/h
R2632	2.2 mph	3.5 km/h
R3246	2.5 mph	4.0 km/h
R4045	2.1 mph	3.4 km/h

Gradeability

25%

Tilt Rating - Side To Side (Indoor / Outdoor)

R1932i	2.75 degrees / NA
R1932	1.75 degrees / 1.50 degrees
R2632	1.50 degrees / 1.50 degrees
R3246	2.50 degrees / 1.50 degrees
R4045	1.50 degrees / 1.50 degrees

Tilt Rating - Fore and Aft

R1932i	2.75 degrees	
R1932	3.75 degrees	
R2632 / R3246 / R4045	3.50 degrees	
Turning Radius (Inside)	0	0
Turning Radius (Outside)		
R1932i/R1932	66 in.	1.7 m
R2632	88 in.	2.2 m
R3246	93 in.	2.4 m
R4045	100 in.	2.5 m

* Certain options or country standards will increase weight.



Standard Specifications

Power Source

Batteries	
R1932i/R1932/R2632/R3246	4 x 6V 220 amp-hr
R4045	4 x 12V 150 amp-hr
Charger	27 amp
Drive	Hydraulic Front-Wheel

Hydraulic Reservoir

• Capacity (at Full mark)		
R1932i/R1932	4.5 gal.	17 L
R2632	4.8 gal.	18 L
R3246	4 gal.	15 L
R4045	7.9 gal.	30 L
• Pump	Fixed Displacement Gear	

Tires

• Tire Size/Type (Non-Marking)		
R1932i/R1932	12.7 x 14 in.	323 x 35 mm
R2632/R3246/R4045	16 x 5 in.	406 x 127 mm

Brakes

- Multi-Disc Friction

Standard Features

<ul style="list-style-type: none"> • Proportional Controls • Battery Condition Indicator • AC Receptacle in Platform • All Motion Alarm • 27 amp Multi-Function Universal Charger • Horn • Hourmeter • Tilt Alarm and Light • Lanyard Attach Points 	<ul style="list-style-type: none"> • Movable, Removable Platform Control • Nickel Plated Pins • Lubrication Free Scissor Arm Bushings • Scissor Maintenance Prop • Active Pothole Protection System • Lifting and Tie Down Points • Fork Lift Pockets • Foot-Actuated Deck 	<ul style="list-style-type: none"> • Extension • Steel Swing-Out Doors • Variable Tilt Visual Zone Indicator • Manual Descent Cable • Diamond Tread Steel Deck • Greaseless Kingpin Joints • Analyzer Port for Diagnostics • Dynamic Braking • Removable Ladder
--	--	--

Accessories & Options

<ul style="list-style-type: none"> • Coiled Platform Control Box Cable • Drive Motor Covers • Extension Deployment Handles • Flashing Amber Beacon • MDI (Ground) • Anti-Vandalism PKG • Eagle Performance Charger • 900W Inverter 	<ul style="list-style-type: none"> • Ambient Noise Alarm • Batteries, AGM (6V, 220AH) - R2632/R3246 • Batteries (6V, 220AH) - R2632/R3246 • Batteries (6V, 250) - R2632 • Batteries (6V, 255AH) - R3246 • Batteries (12V, 185AH) - R4045 • Batteries, AGM (12V, 150AH) - R4045 	<ul style="list-style-type: none"> • Batteries, (12V, 150AH) - R4045 • JLG® Mobile Control
--	---	--

R SERIES

R1932i/R1932/R2632/R3246/R4045 ELECTRIC SCISSOR LIFTS

AERIAL TITANS

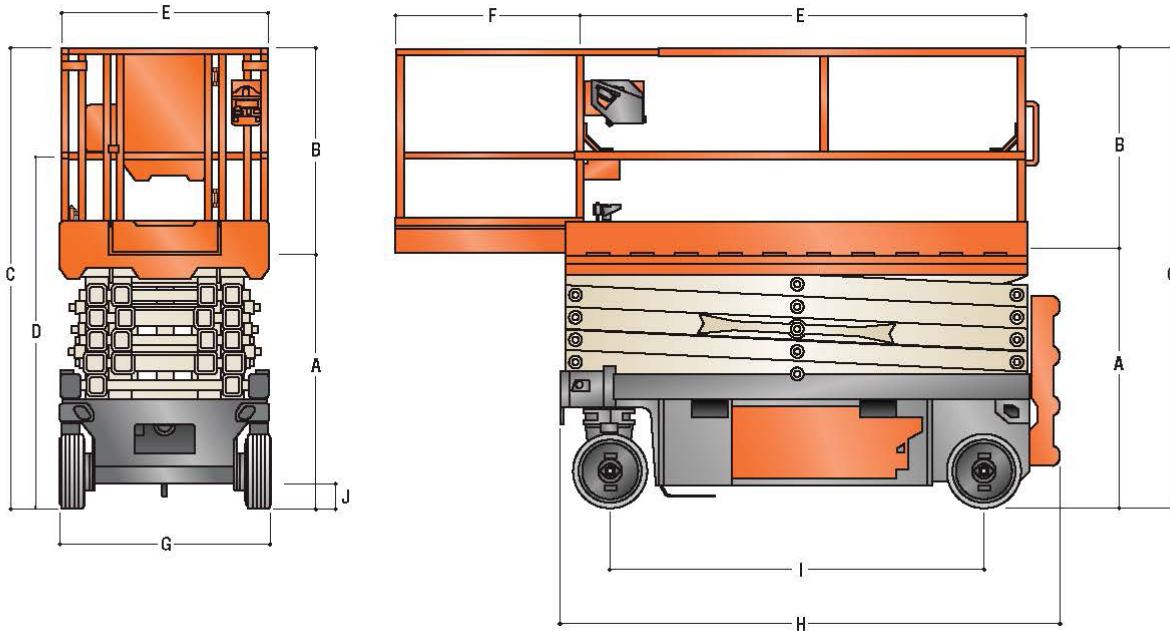
866-874-0584

WWW.AERIALTITANS.COM

<< go back

Dimensions

All dimensions are approximate.



A. Platform Height - Lowered

R1932i / R1932	38.6 in.	1.0 m
R2632	43.6 in.	1.1 m
R3246	50.9 in.	1.3 m
R4045	55.0 in.	1.4 m

B. Platform Railing Height

R1932i / R1932 / R2632 / R3246	43.3 in.	1.1 m
R4045	44.0 in.	1.1 m

C. Overall Height

R1932i / R1932	82.8 in.	2.1 m
R2632	88.2 in.	2.2 m
R3246	96.3 in.	2.5 m
R4045	100.0 in.	2.5 m

D. Overall Height (Rails Lowered)

R1932i / R1932	64.3 in.	1.63 m
R2632	70.3 in.	1.8 m
R3246	77.6 in.	2.0 m
R4045	75.0 in.	1.9 m

E. Platform Size

R1932i / R1932	62.7 in x 25.4 in.	1.59 m x .64 m
R2632	25.4 in. x 84.0 in.	0.7 m x 2.1 m
R3246	41.6 in. x 84.0 in.	1.1 m x 2.1 m
R4045	41.0 in. x 96.0 in.	1.1 m x 2.4 m

F. Platform Extension

R1932i / R1932	36.0 in.	91.0 cm
R2632	34.0 in.	86.5 cm
R3246 / R4045	36.0 in.	91.0 cm

G. Overall Width

R1932i / R1932	32.0 in.	81.0 cm
R2632	32.0 in.	81.0 cm
R3246	46.0 in.	117.0 cm
R4045	45.0 in.	114.3 cm

H. Overall Length

R1932i / R1932	68.7 in.	1.7 m
R2632 / R3246	94.3 in.	2.4 m
R4045	106.0 in.	2.7 m

I. Wheelbase

R1932i / R1932	53.0 in.	1.3 m
R2632 / R3246	74.0 in.	1.9 m
R4045	80.0 in.	2.0 m

J. Ground Clearance (Pothole Protection Not Deployed)

R1932i / R1932	2.8 in.	7.0 cm
R2632 / R3246	3.9 in.	9.8 cm
R4045	5.0 in.	12.7 cm

<< go back

AERIAL TITANS

866-874-0584

WWW.AERIALTITANS.COM

JLG®

JLG Industries, Inc.

1 JLG Drive
McConnellsburg, PA 17233-9533

Telephone 717-485-5161

Toll-free in US 877-JLG-LIFT

Fax 717-485-6417

www.jlg.com

An Oshkosh Corporation Company

The JLG "1 & 5" Warranty

We provide coverage for one (1) full year, and cover all specified major structural components for five (5) years. Due to continuous product improvements, we reserve the right to make specification and/or equipment changes without prior notification. This machine meets or exceeds applicable ANSI and CSA requirements based on machine configuration as originally manufactured for intended applications. Please reference the serial number plate on the machine for additional information.

Part No.: 3131505
R011421_A92.20
Printed in USA