

ENGINE

Complies with European Directive Model
Max power
Regimen adjusted
Power adjusted ECE R120
Numbers of cylinders
Injection
Intake
Displacement
Cooling
Air filter with double protection
Electrical equipment
Free maintenance battery
Self regulated alternator
Fuel tank capacity

97/68 CE - STAGE 4
Yanmar 4TNV 88
HP - kW 51 - 37.5
rpm 3000
HP - kW 49 - 36
4
Direct
Natural
cc. 2190
Water
Dry
12 volt
70 Ah
660 W
46 l

TRANSMISSION

Hydrostatic transmission at closed circuit, with automatic adjustment of power, axial pistons pump and engine at variable displacement.
Inching pedal control.
Manual selection of working speed.
2 forward and 2 backward speeds, electrical control on steering wheel.

SPEED

		1 st	2 nd
Forwards	Km/h	0 ÷ 9,4	0 ÷ 25
Backwards	Km/h	0 ÷ 9,4	0 ÷ 25

AXLES

With epicycloid reduction gears on all permanent four driving wheels.
Front axles: steering and oscillating of a 15° total range.
Rear axles: steering, fixed on the chassis.

BRAKES

Duty brakes: disk on the transmission shaft with hydraulic feeding pedal control.
Parking brakes: disk on the transmission shaft, manually operated.

HYDRAULIC SYSTEM

Composed with: hydraulic gear pump, modular distributor with principal, shock-proof and anticavitation valve.
Pressurised circuit.

Max pump capacity	81 l
Max pump pressure	210 kg/cm ²
Loader lifting cylinder	Bore x Stroke 90 x 425 mm
Loader bucket cylinder	Bore x Stroke 50 x 500 mm
Hydraulic cycle time	8"
Oil tank capacity, circuit included	45 Kg

STEERING

Servoassisted, with hydroguide, on all 4 wheels.
The hydraulic system is "Load Sensing" equipped.

Steering radius interior tyres	1270 mm
Steering radius exterior tyres	2600 mm
Steering radius exterior bucket	3285 mm

Steering system at 3 functions:

- 2 front steering wheels
- 4 steering wheels
- "CRAB"

TYRES

Standard:	driving type	10 x 16.5	8 Pr
On request:		12 x 16.5	10 Pr
Other models on request.			

LOADER

Single servocontrol lever for arm and bucket.

Standard bucket capacity	0,5 m ³
Standard bucket width	1490 mm
Breakout force	3650 Kg
Lifting capacity at max height	3330 Kg

BACKHOE

Two independent stabilizers with blocking valves.
Side translation with four hydraulic locking devices.
Block of rotation and arm lowering with hydraulic control.

Type	PRE 28
Standard bucket capacity 300 mm	45 l
Dipperstick max penetration capacity	1535 Kg
Max breakout force on the bucket tip	2870 Kg
Lifting capacity on the bucket pin	710 Kg
A - max digging depth	2820 mm
B - standard digging depth	2600 mm
Max dump height	2830 mm
Standard rotation angle (patented)	240°
Optional rotation angle	180°

DIMENSIONS AND WEIGHTS

Max length in moving position	4800 mm
Max width in moving position	1490 mm
Front and rear track width	1185 mm
Ground clearance	385 mm
External tyres width	1450 mm
Standard operating weight	3500 Kg
Max operating weight	3800 Kg

STANDARD EQUIPMENT

- > Mechanic quick bucket connection
- > Loader servocontrol
- > Automatic proportional self-locking differential on front and rear axle
- > Inching pedal control (transmission speed regulations)
- > Antipollution tank plugs
- > Bucket with screwed teeth
- > Rotating and downward stop of backhoe boom
- > Visual device for shovel positioning
- > Reverse motion alarm
- > Battery disconnecting switch
- > Front and rear works light
- > Rotating lamp with magnetic fixing
- > Shock absorbing and regulating seat, with safety belt
- > Regulating steering wheel
- > Heating plant
- > Air filter in aspiration from outside
- > Rotoform roof for cabin protection
- > Tool box
- > Accessories for road circulation
- > Road homologation for daily and night circulation
- > CE Certification

OPTIONAL EQUIPMENT

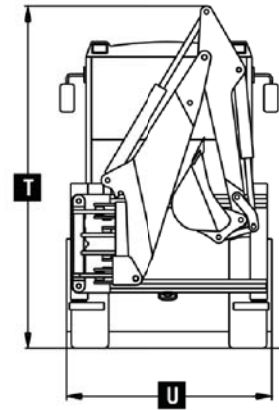
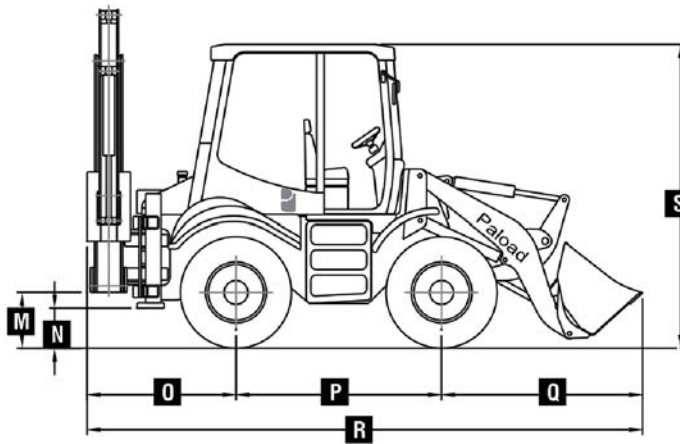
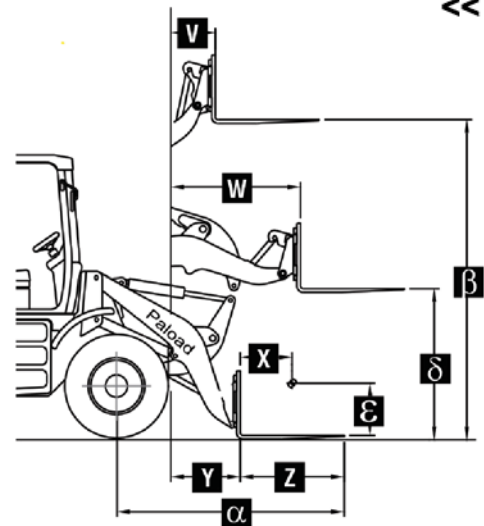
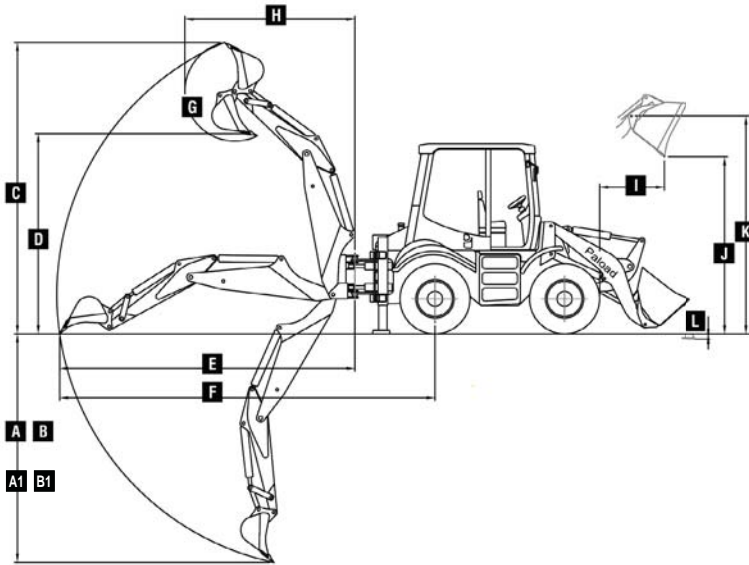
ON LOADER

- > Hydraulic quick bucket connection
- > 4:1 multipurpose bucket
- > Mixer bucket
- > Front rotating brush
- > Teeth blade
- > Asphalt concrete milling
- > Universal forks
- > Theft protection
- > Snow blade or snow plough
- > Metal protection roof ROPS - FOPS
- > High Flow hydraulic system
- > Air conditioning

ON BACKHOE

- > Mechanic quick bucket connection
- > Ditching buckets of different sizes
- > Trenching buckets
- > Ditch cleaning bucket
- > Hydraulic auger
- > Rubber pads
- > Telescopic dipperstick

<< go back



OPERATIVE DATA

Line tipping load Kg 2200

Operative load with forks EN 474-3 (80%) Kg 1350

Operative load with forks EN 474-3 (60%) Kg 1000

A	2820 mm	V	440 mm	M	480 mm	T	2410 mm
B	2600 mm	W	1055 mm	N	365 mm	U	1490 mm
C	3910 mm	Z	1000 mm	O	1550 mm		
D	2830 mm	X	500 mm	P	1575 mm		
E	3550 mm	Y	580 mm	Q	1675 mm		
F	4570 mm	alpha	1990 mm	R	4800 mm		
G	202°	beta	2555 mm	S	2300 mm		
H	2200 mm	delta	1250 mm				
I	650 mm	epsilon	500 mm				
J	2200 mm						
K	2700 mm						
L	50 mm						

PALOAD is a mark produced by Palazzani Industrie S.p.A.

NC 412 A 16 Technical sheet PB 130.2 english

Palazzani
INDUSTRIE

AERIAL TITANS

866-874-0584
WWW.AERIALTITANS.COM

COMPANY WITH
QUALITY SYSTEM
CERTIFIED BY DNV GL
= ISO 9001 =



CERTIFICATE OF CONFORMITY TO THE
NEW MACHINES' STANDARDS

We reserve the right to change technical datas, so
all characteristics are purely indicative.
Pictures don't show necessarily the machine in
standard version.