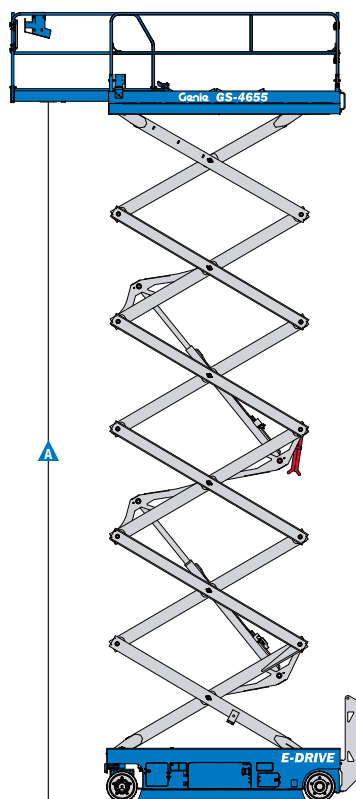
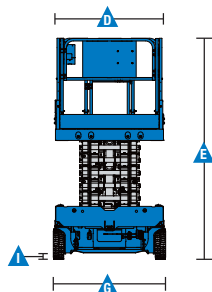
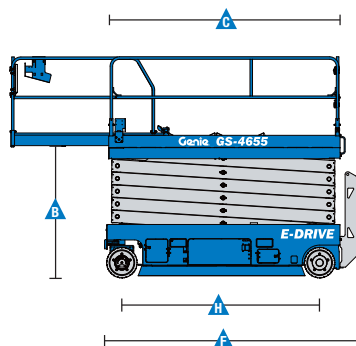




A TEREX BRAND

# Self-Propelled Scissor Lifts

GS™ -4655



## Specifications

Model	GS-4655	
Measurements	US	Metric
Working height maximum - indoor <sup>1</sup>	51 ft 9 in	15.95 m
- outdoor <sup>1</sup>	27 ft 6 in	8.55 m
<b>A</b> Platform height maximum, indoor	45 ft 9 in	13.95 m
Platform height maximum, outdoor	21 ft 6 in	6.55 m
<b>B</b> Platform height - stowed	5 ft 5 in	1.64 m
<b>C</b> Platform length - outside	9 ft 4 in	2.84 m
- extended	13 ft 4 in	4.1 m
<b>D</b> Platform width - outside	4 ft 5 in	1.35 m
<b>E</b> Height - stowed: folding rails	9 ft 1 in	2.77 m
- rails lowered	6 ft 6 in	1.98 m
<b>F</b> Length - stowed	10 ft 2 in	3.11 m
<b>G</b> Width	55.3 in	1.41 m
<b>H</b> Wheelbase	8 ft 1 in	2.47 m
<b>I</b> Ground clearance - center	5.9 in	15 cm
- with pothole guards deployed	0.75 in	2 cm
Roll-out platform extension deck	4 ft	1.22 m
Guardrail height	3 ft 7.3 in	1.1 m
Toeboard height	6 in	0.15 m

## Productivity

Max platform occupancy (in/out)	3/2	
Lift capacity	770 lbs	349 kg
Lift capacity - extension deck	300 lbs	136 kg
Drive height	Full height	
Drive speed - stowed	2.5 mph	4.0 km/h
Drive speed - raised	0.5 mph	0.8 km/h
Gradeability - stowed <sup>2</sup>	25%	
Turning radius - inside	12 in	31 cm
Turning radius - outside	10 ft	3.05 m
Raise/lower speed	92 / 58 sec	
Tilt sensor activation - front to back	3°	
- side to side	1.5°	
Controls	proportional	
Drive	dual front wheel, AC electric	
Brakes	dual front wheel, electric	
Tires solid non-marking	15 x 5 in	38 x 13 cm

## Power

Power source	24 V DC, 300 Ah (four 12 V, 150 Ah batteries in parallel series)	
Hydraulic system capacity	7.5 gal	28.4 L

## Weight<sup>3</sup> / Floor Loading<sup>4</sup>

Weight - ANSI/CSA	8,160 lbs	3,701 kg
Tire load, maximum:	3,682 lbs	1,670 kg
Tire contact pressure:	210 psi	1,451 KPa
Occupied floor pressure:	205 psf	9.81 KPa

Standards Compliance ANSI A92.20, CSA B354.6, CE EN280, AS 1418.10



# Self-Propelled Scissor Lifts

## GS™ -4655

### Features

Standard Features	Standard Features	Options & Accessories
-------------------	-------------------	-----------------------

#### Measurements

##### GS-4655

- 52 ft (15.8 m) working height
- 770 lbs (349 kg) lift capacity

#### Productivity

- Drive at full height
- Folding rails with full height swing gate
- SmartLink™ - dual zone control
- Proportional lift and drive
- Platform load sense system
- Platform control guard
- Platform control with battery charge indicator
- AC power to platform
- Universal 27A smart charger
- Lanyard attachment points
- Manual platform lowering valve
- Emergency stop at both platform and ground controls
- Dual front wheel electric brakes
- Manual and electric brake release
- Swing-out component trays
- Pothole guards
- Tilt level sensor with audible alarm
- Dual flashing LED beacons
- Descent alarm
- Electronic horn
- Hour meter
- Motion alarm
- Platform control guard
- Side forklift pockets
- Lift Connect™ Telematics
- Tech Pro™ Link compatible

#### Power

- 24 V DC, 300 Ah (four 12 V 150 Ah batteries in parallel series)
- Universal 20 amp smart charger

#### Platform

- Diamond plate platform floor
- 4 ft (1.2 m) extension deck

#### Drive

- Dual front wheel AC electric drive

#### Tires

- Solid non-marking

#### Productivity Options

- Air line to platform
- Automotive-style horn

#### Power Options

- Power inverter (120 V / 60 Hz)<sup>1</sup>
- Drive cutout while charging



#### Genie United States

6464 185th Ave. NE  
 Redmond, WA 98052  
 Telephone +1 (425) 881-1800  
 Toll Free in USA/Canada +1 (800)-536-1800  
 Fax +1 (425) 883-3475

866-874-0584

WWW.AERIALTITANS.COM

Effective Date: October, 2020. Product specifications and prices are subject to change without notice or obligation. The photographs and/or drawings in this document are for illustrative purposes only. Refer to the appropriate Operator's Manual for instructions on the proper use of this equipment. Failure to follow the appropriate Operator's Manual when using our equipment or to otherwise act irresponsibly may result in serious injury or death. The only warranty applicable to our equipment is the standard written warranty applicable to the particular product and sale and we make no other warranty, express or implied. Products and services listed may be trademarks, service marks or trade names of Terex Corporation and/or their subsidiaries in the USA and many other countries. Terex, Genie and AWP are registered trademarks of Terex Corporation or its subsidiaries. © 2020 Terex Corporation.