

AERIAL TITANS

niftylift

TM64



(A) 69ft



(B) 62ft 6in



(C) 39ft 6in



500lbs



4ft 7in x 2ft 4in



100°



(D) 7ft 5in



(F) 5ft 11in



(G) 14ft 1in



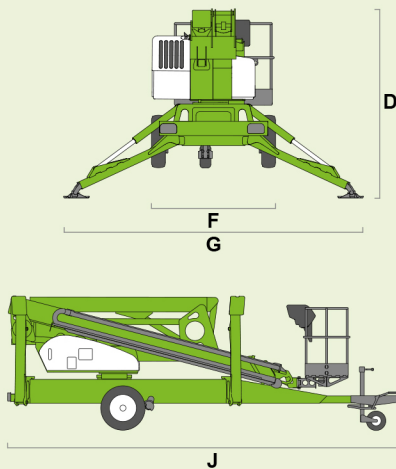
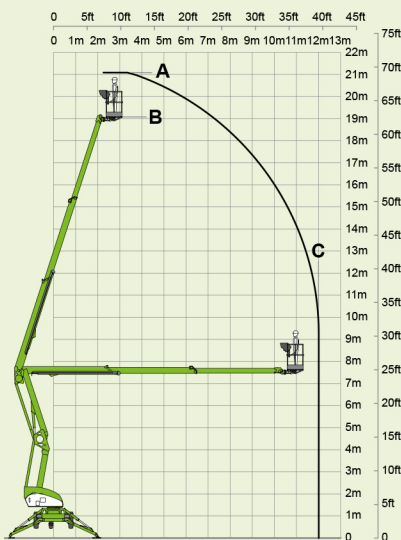
(J) 22ft 10in



7610lbs



17%
9.5°



niftylift
 1438 S. Buncombe Road,
 Greer, SC - 29651
 United States
 1-800-643-8954
 usasales@niftylift.com
 www.niftylift.com

ISO 9001	ISO 14001	ISO 45001
QUALITY MANAGEMENT	ENVIRONMENTAL MANAGEMENT	HEALTH & SAFETY MANAGEMENT

AERIAL TITANS
 866 874-0584 AERIALTITANS.COM