

# AERIAL TITANS

## niftylift

# TM42T



(A) 48ft 6in



(B) 42ft



(C) 25ft



500lbs



4ft 7in x 2ft 4in



(D) 6ft 7in



(F) 5ft 3in



(G) 12ft 6in



(J) 18ft 3in



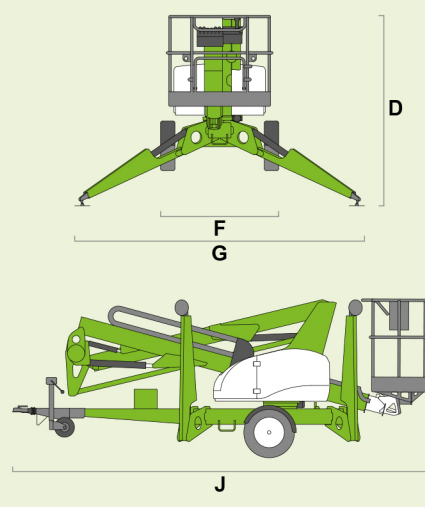
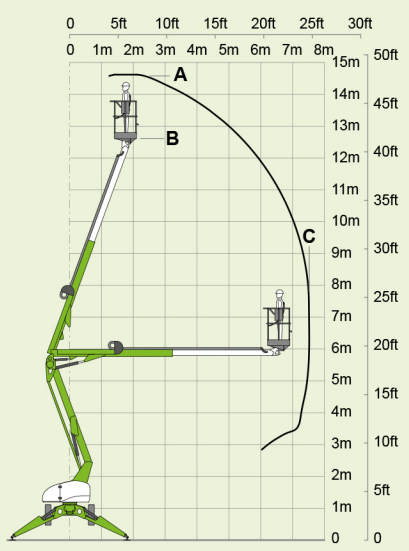
Option



3990lbs



23%  
13°



**niftylift**  
1438 S. Buncombe Road,  
Greer, SC - 29651  
United States  
1-800-643-8954  
usasales@niftylift.com  
www.niftylift.com

nqa. ISO 9001 QUALITY MANAGEMENT	nqa. ISO 14001 ENVIRONMENTAL MANAGEMENT	nqa. ISO 45001 HEALTH & SAFETY MANAGEMENT
--	---	---

**AERIAL TITANS**  
866 874-0584 AERIALTITANS.COM

**Bi-Energy**