

# AERIAL TITANS

## niftylift

### TD34TN



(A) 40ft



(B) 33ft 6in



(C) 20ft



500lbs



3ft 7in x 2ft 2in



(D) 6ft 5in



(E) 2ft 7in



(F) 3ft 9in



(G) 9ft 10in



(J) 13ft 1in



1mph



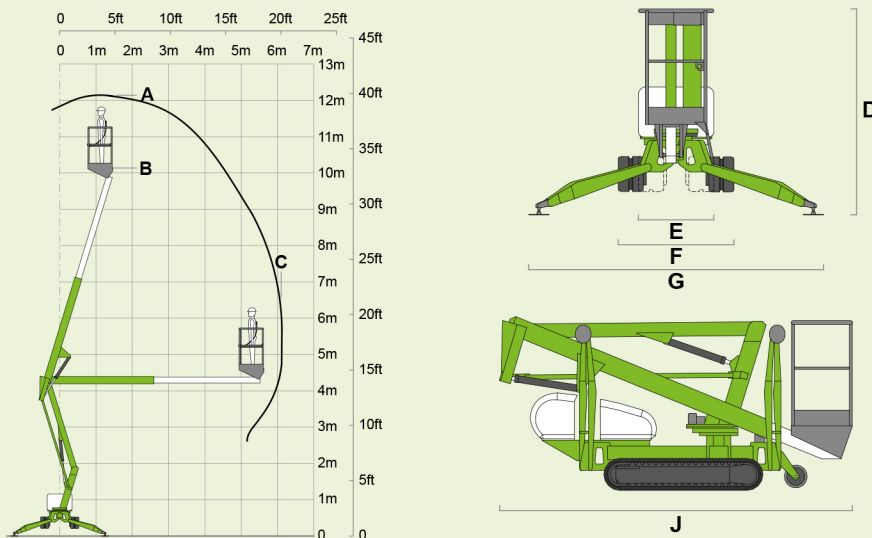
60%  
31°



3990lbs



13%  
7.2°



**niftylift**  
1525 S. Buncombe Road,  
Greer, SC - 29651  
United States  
1-800-643-8954  
usasales@niftylift.com  
www.niftylift.com



**AERIAL TITANS**  
866 874-0584 AERIALTITANS.COM