

AERIAL TITANS

niftylift

SP85 4x4




Niftylink®

(A) 92ft



(B) 85ft 6in



(C) 62ft



620lbs



7ft 10in x 2ft 11in



150°



180°



(D) 8ft 10in



(F) 8ft 2in



(H) 23ft 11in



(J) 30ft 5in



3mph



19ft 4in



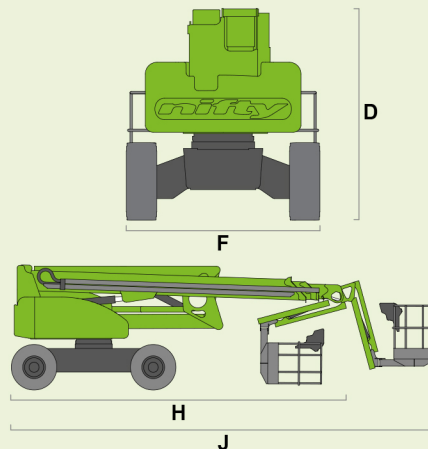
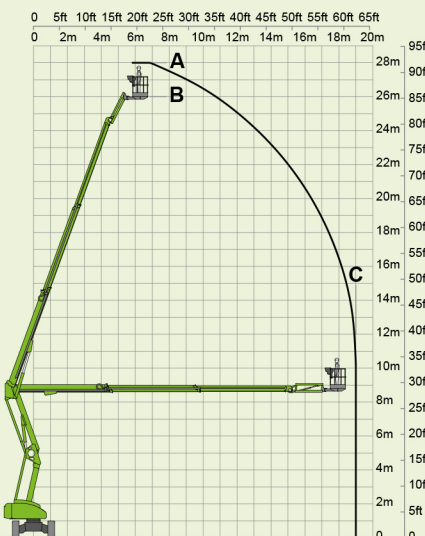
35%*/40%
19°*/22°



31700lbs*/31880lbs



 Hybrid²



SiOPS® Gen² Hybrid
Niftylink®

niftylift
1438 S. Buncombe Road,
Greer, SC - 29651
United States
1-800-643-8954
usasales@niftylift.com
www.niftylift.com



AERIAL TITANS
866 874-0584 AERIALTITANS.COM

 Hybrid²