

AERIAL TITANS

niftylift

SP64E



(A) 68ft 6in



(B) 62ft



(C) 42ft



550lbs



5ft 11in x 2ft 9in



150°



100°



(D) 7ft



(F) 7ft 5in



(H) 17ft 5in



(J) 22ft



4.1mph



13ft



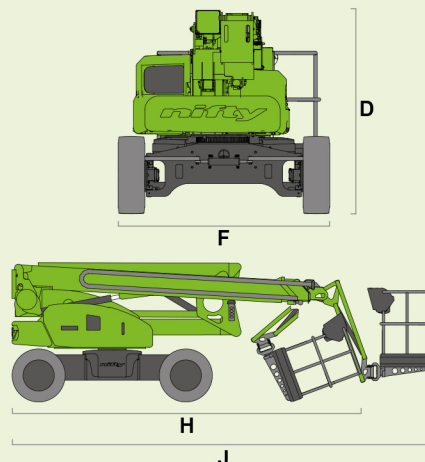
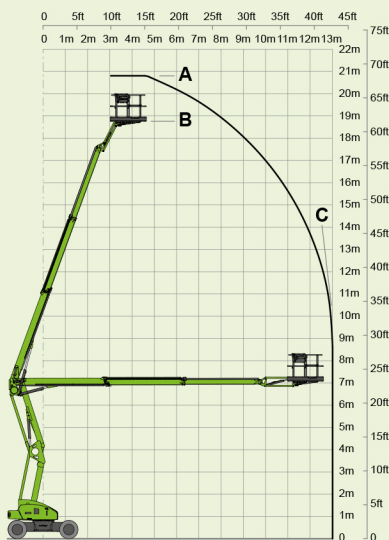
45%
24°



14730lbs



All-Electric



SiOPS®
toughcage

All-Electric
Niftylink®

niftylift
1438 S. Buncombe Road,
Greer, SC - 29651
United States
1-800-643-8954
usasales@niftylift.com
www.niftylift.com



AERIAL TITANS
866 874-0584 AERIALTITANS.COM