

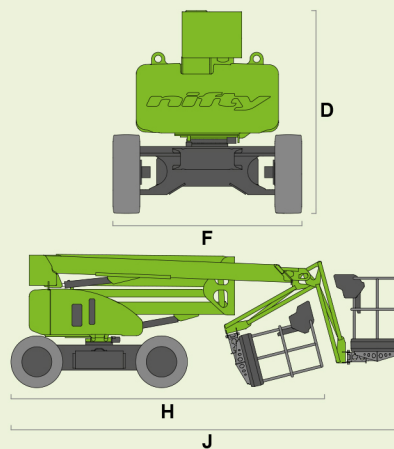
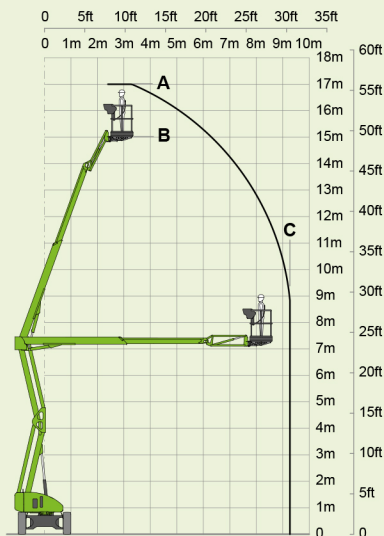
# AERIAL TITANS

## niftylift

**SP50 4x4**



Niftylink®



SiOPS® Niftylink®  
toughcage Gen<sup>2</sup> Hybrid

(A) 56ft 6in



(B) 50ft



(C) 31ft



500lbs



5ft 11in x 2ft 9in



150°



180°



(D) 6ft 11in



(F) 6ft 7in



(H) 15ft 9in



(J) 20ft 10in



3.7mph



12ft 2in



45%  
24°



11290lbs



Hybrid<sup>2</sup>



**niftylift**  
1438 S. Buncombe Road,  
Greer, SC - 29651  
United States  
1-800-643-8954  
usasales@niftylift.com  
www.niftylift.com



**AERIAL TITANS**  
866 874-0584 AERIALTITANS.COM