

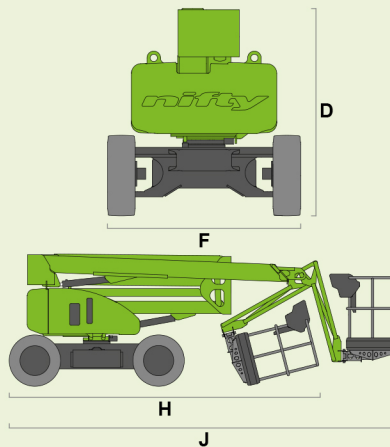
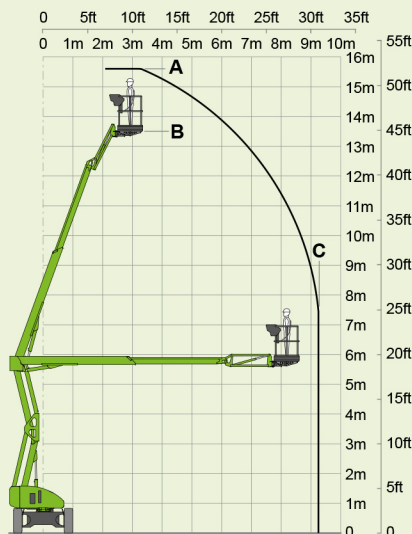
AERIAL TITANS

niftylift

SP45 4x4



Niftylink®



SiOPS® Niftylink®
toughcage Gen² Hybrid

(A) 51ft 6in



(B) 45ft



(C) 31ft



500lbs



5ft 11in x 2ft 9in



150°



180°



(D) 6ft 11in



(F) 6ft 7in



(H) 15ft 9in



(J) 20ft 10in



3.7mph



12ft 2in



45%
24°



10010lbs*/10800lbs



niftylift
1438 S. Buncombe Road,
Greer, SC - 29651
United States
1-800-643-8954
usasales@niftylift.com
www.niftylift.com



AERIAL TITANS
866 874-0584 AERIALTITANS.COM

Hybrid²

