

AERIAL TITANS

niftylift

SP45E



(A) 51ft 6in



(B) 45ft



(C) 31ft



500lbs



5ft 11in x 2ft 9in



150°



180°



(D) 6ft 11in



(F) 6ft 7in



(H) 15ft 9in



(J) 20ft 10in



3.7mph



12ft 2in



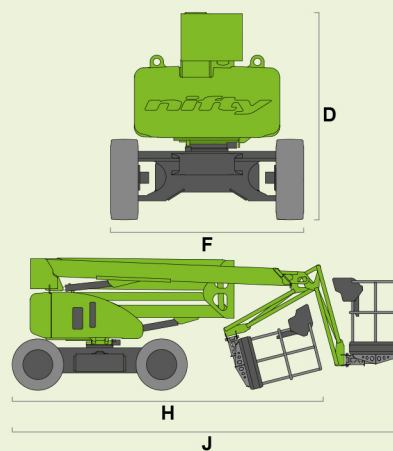
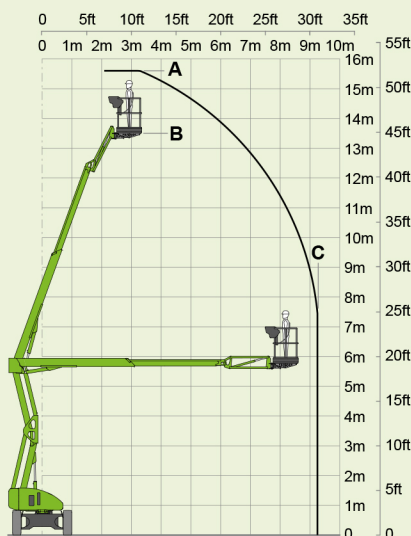
35%
29°



10320lbs



All-Electric



SiOPS®
toughcage

All-Electric
Niftylink®

niftylift
1438 S. Buncombe Road,
Greer, SC - 29651
United States
1-800-643-8954
usasales@niftylift.com
www.niftylift.com

ISO 9001	ISO 14001	ISO 45001
QUALITY MANAGEMENT	ENVIRONMENTAL MANAGEMENT	HEALTH & SAFETY MANAGEMENT

AERIAL TITANS
866 874-0584 AERIALTITANS.COM