



Niftylink

SP34NE



(A) 39ft 6in 

(B) 33ft 

(C) 21ft 

440lbs 

3ft 11in x 2ft 9in 

(D) 6ft 6in 

(F) 4ft 11in 

(J) 13ft 

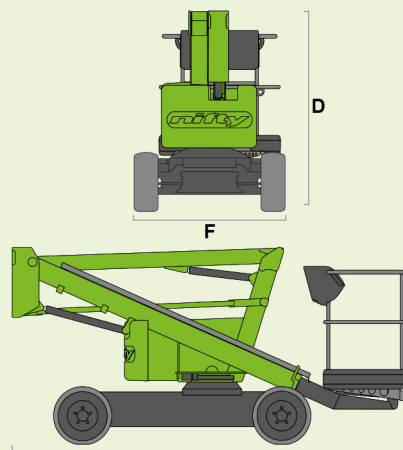
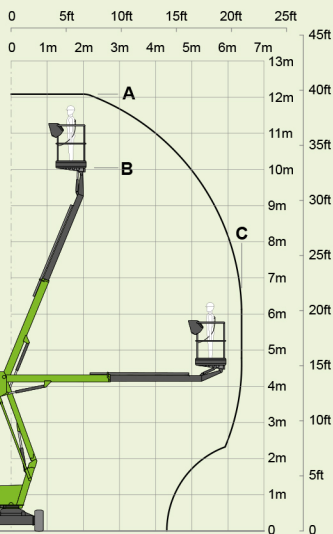
3.7mph 

11ft 6in 

25%
14° 

7210lbs 

All-Electric 



SiOPS® **All-Electric**
toughcage **Niftylink®**

niftylift
1438 S. Buncombe Road,
Greer, SC - 29651
United States
1-800-643-8954
usasales@niftylift.com
www.niftylift.com

 ISO 9001 QUALITY MANAGEMENT	 ISO 14001 ENVIRONMENTAL MANAGEMENT	 ISO 45001 HEALTH & SAFETY MANAGEMENT
---	--	--

AERIAL TITANS
866 874-0584 AERIALTITANS.COM