



Niftylink®

(A) 39ft 6in



(B) 33ft



(C) 21ft



440lbs



3ft 11in x 2ft 9in



(D) 6ft 6in



(F) 5ft 11in



(J) 13ft



3.7mph



11ft 11in



25%
14°



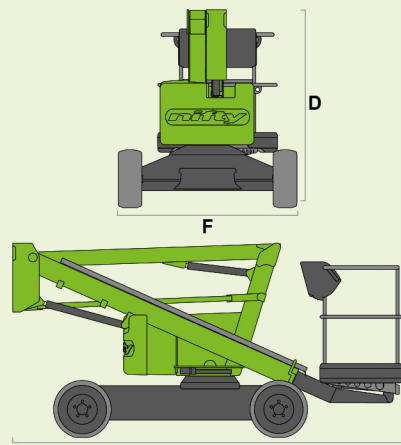
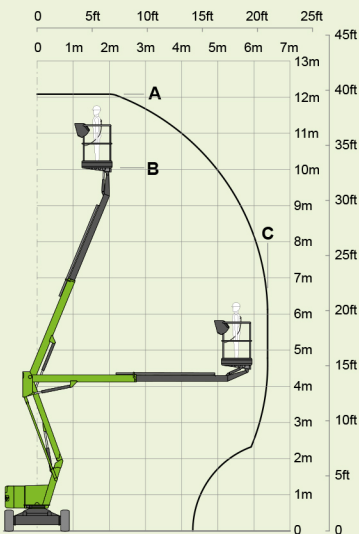
5640lbs / 5490lbs*



All-Electric



* Lithium Battery Option



SiOPS® All-Electric
toughcage Niftylink®

niftylift
1438 S. Buncombe Road,
Greer, SC - 29651
United States
1-800-643-8954
usasales@niftylift.com
www.niftylift.com



AERIAL TITANS
866 874-0584 AERIALTITANS.COM