

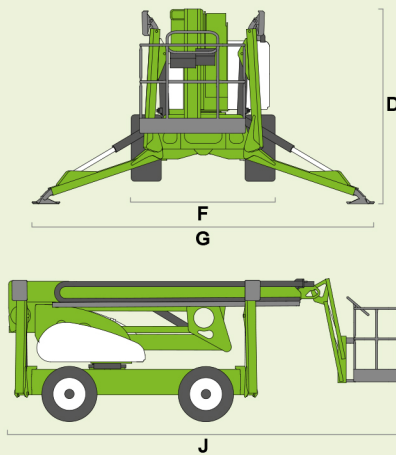
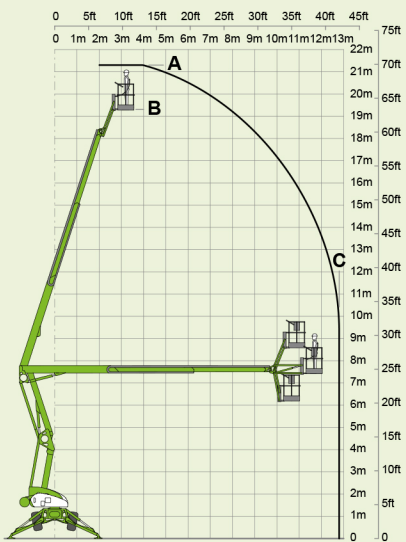
# AERIAL TITANS

## niftylift

**SD64 4x4x4**



- (A) 70ft
- (B) 63ft 6in
- (C) 42ft
- 500lbs
- 5ft 11in x 2ft 9in
- 150°
- 100°
- (D) 7ft 5in
- (F) 6ft 9in
- (G) 13ft 9in
- (J) 20ft 2in
- 5.6mph
- 11ft 6in
- 45%  
24°
- 9170lbs
- 18%  
10°
- 



**niftylift**  
 1525 S. Buncombe Road,  
 Greer, SC - 29651  
 United States  
 1-800-643-8954  
 usasales@niftylift.com  
 www.niftylift.com

ISO 9001	ISO 14001	ISO 45001
QUALITY MANAGEMENT	ENVIRONMENTAL MANAGEMENT	HEALTH & SAFETY MANAGEMENT

**AERIAL TITANS**  
 866 874-0584 AERIALTITANS.COM