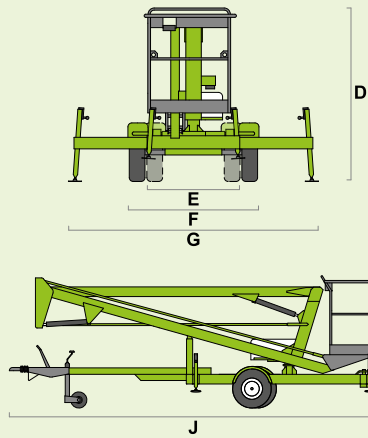
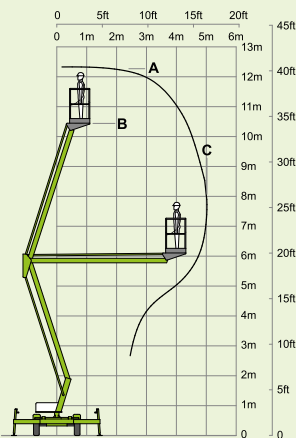


# Niftylift AT34

w/ RETRACTABLE AXLES 3'7" &  
Spare Tire & AIR/WATER/110v  
Power Lines to Platform



(A) 40ft 6in



(B) 34ft



(C) 16ft 6in



500lbs



3ft 7in x 2ft 2in



(D) 6ft 3in



(E) 3ft 7in



(F) 4ft 11in



(G) 8ft 10in



(J) 18ft 10in



2560lbs



4%  
2.1°



see pages 2-4 for all model variations



(866)874-0584 AERIALTITANS.COM



# **AERIAL TITANS**

## **2021 Niftylift AT34TE**

**34' Platform Height/ 40' Work Height/  
20' Horizontal Reach**

***DC Electric Motor w/ Hydraulic  
Outriggers/Stabilizers,  
Spare Tire, Air & Water Hoses & 110v  
Power to Platform, Retractable Axles to  
3'7" Wide***



# **AERIAL TITANS**

## **2021 Niftylift AT34TG**

**34' Platform Height/ 40' Work Height/  
20' Horizontal Reach**

***Honda Gas Engine w/ Hydraulic  
Outriggers/Stabilizers,  
Spare Tire, Air & Water Hoses & 110v  
Power to Platform, Retractable Axles to  
3'7" Wide***



# **AERIAL TITANS**

## **2021 Niftylift AT34TGE**

**34' Platform Height/ 40' Work Height/  
20' Horizontal Reach**

***Bi-Energy (Honda Gas Engine & DC  
Electric Battery) w/ Hydraulic  
Outriggers/Stabilizers,  
Spare Tire, Air & Water Hoses & 110v  
Power to Platform, Retractable Axles to  
3'7" Wide***

