

# R13100

ROTATING TELEHANDLER



## AERIAL TITANS



### KEY FEATURES & BENEFITS

- 3-in-1 Capability: Along with material handling, rotating telehandlers function as mobile elevating work platforms and rough-terrain cranes.
- Confidence-Inspiring Technology: Features automatic attachment recognition, a Load Management Information System (LMIS) and Load Stability Indicator (LSI).
- 360-Degree Continuous Rotation: Full rotation of the upper frame allows for both horizontal and vertical lifting.
- Standard Attachments and Accessories: 48-in standard carriage and forks, outrigger pads, LED worklights, and boom camera.

### ATTACHMENTS

|                                     |   |
|-------------------------------------|---|
| General Purpose Bucket              | 94.5-in, 2.0-cu yd  |
| Truss Boom                          | 8-ft, 2640-lb capacity / 2.4-m, 1,200-kg capacity                         |
| Truss Boom with Winch               | 9-ft / 2.7-m, 2,000-lb or 3,300-lb capacity / 900-kg or 1,500-kg capacity |
| Truss Boom with Winch               | 16-ft, 1,300-lb capacity / 4.8-m, 600-kg capacity                         |
| Standard Carriage                   | 48-in / 1.2-m   |
| Fork Positioning Carriage           | 48-in / 1.2-m   |
| 360 Degree Rotating Carriage        | 48-in, 5,500-lb capacity / 1.2-m, 2,500-kg capacity                       |
| Work Platform                       | 7-ft, 660-lb capacity / 2.1-m, 300-kg capacity                            |
| Extendable Trilateral Work Platform | 8-ft to 13-ft 6-in / 2.4-m to 4.1-m                                       |
| Coupler Mounted Winch               | 660-lb or 1,765-lb capacity / 300-kg or 800-kg                            |
| Coupler Mounted Hook                | 11,000-lb / 5,000-kg  |
| Mixing Bucket                       | 13,200-lb / 6,000-kg  |
| Hydraulic Opening Ladle             | 1,690-lb / 768-kg max capacity  |
|                                     | 2,904-lb / 1,320-kg max capacity  |

### ACCESSORIES & OPTIONS

- Brick Guard
- Dual Auxiliary Hydraulics
- White Noise Back Up Alarm
- Boom Brushes
- Hydraulic Coupler
- Woodcracker Ready\*

\*For use with Westtech Woodcracker CS 750 Smart

### STANDARD SPECIFICATIONS

#### Performance

|                                |                       |
|--------------------------------|-----------------------|
| Rated Capacity                 | 13,200-lb / 6,000-kg  |
| Maximum Lift Height            | 97-ft / 29.6-m        |
| Load at Max Height             | 5,500-lb / 2,500-kg   |
| Maximum Forward Reach          | 86-ft / 26-m          |
| Load at Max Reach              | 440-lb / 200-kg       |
| Frame Leveling                 | ±6 Degrees            |
| Lift Speed Up                  | 16 seconds            |
| Lift Speed Down                | 10.1 seconds          |
| Boom Speed – Extend            | 29 seconds            |
| Boom Speed – Retract           | 14 seconds            |
| Top Travel Speed (Foam-Filled) | 12.4 mph / 20 km/h    |
| Top Travel Speed (Air Tires)   | 24.5 mph / 40 km/h    |
| Drawbar Pull                   | 22,500-lb / 100-kN    |
| Outside Turning Radius         | 14-ft 5-in / 4.4-m    |
| Operating Weight               | 52,070-lb / 23,620-kg |

#### Engine

|                            |                    |
|----------------------------|--------------------|
| Make and Model             | FPT F4HGE413K*V012 |
| No. of Cylinders           | 4                  |
| Displacement               | 274 cu in / 4.5 L  |
| Gross Power Basic          | 168 hp / 125 kW    |
| Maximum Torque @ 1,500 rpm | 524 lb-ft / 710 Nm |
| Fuel Tank Capacity         | 58.1 gal / 220 L   |

#### Transmission

Hydrostatic 2-speed

#### Axles

Trunnion mounted planetary 35-Degree steer axles  
High bias limited slip differential on front axle

#### Brakes

Service brakes are inboard wet disc brake on front and rear axles and include inching. Parking brakes are wet disc spring-applied hydraulic release on front axle.

#### Tires

|          |   |
|----------|---|
| Standard | Foam Filled Tires AGP23 18 x 22.5 Lug Tread                                   |
| Optional | Air Tires AE77 445/65 R22.5 Turf Tread<br>Air Tires AGP23 18 x 22.5 Lug Tread |

#### Standard Features

- 3-in Seatbelt
- Adjustable Seat
- Boom Mounted Camera System
- Certified ROPS/FOPS Structure
- Dual Joystick Controls
- Enclosed Cab
- Horn
- Heat and Air Conditioning
- LED Worklight Package
- LED Motion / Amber Beacon (CS550) with ClearSky Smart Fleet™ Hardware
- Outrigger Pads
- Retractable Sunscreen
- Reversing Camera
- Road Lights
- Tilt & Auxiliary Hydraulics on Joystick

#### Steering 4-Wheel

Power Steering  
Operator selectable 4-Wheel Circle, 4-Wheel Crab, 2-Wheel Front

#### Instruments

- Hourmeter
- Fuel Gauge
- Engine Oil Pressure Gauge
- Voltmeter
- DEF Gauge
- Temperature Gauge

#### Hydraulic System-Implement

|  |                  |
|--|------------------|
| Capacity   | 84.5 gal / 320 L |
| Max. Auxiliary Flow to the Boom Head   | 211 gpm / 80 lpm |
| Load Sense Piston Pump. Auxiliary hydraulics used for all attachments equipped with cylinders or other hydraulic components. |                  |

# R13100

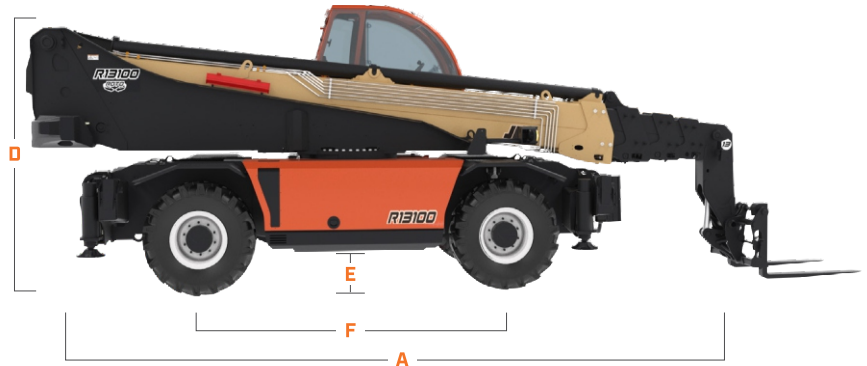
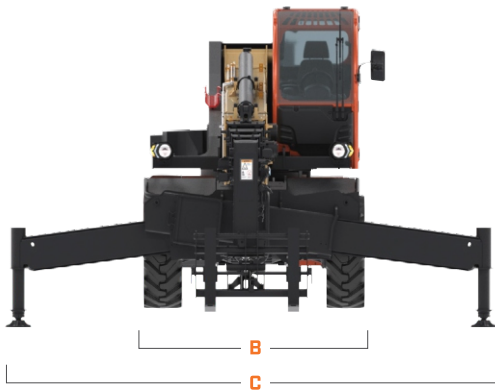
ROTATING TELEHANDLER



## DIMENSIONS



All dimensions are approximate

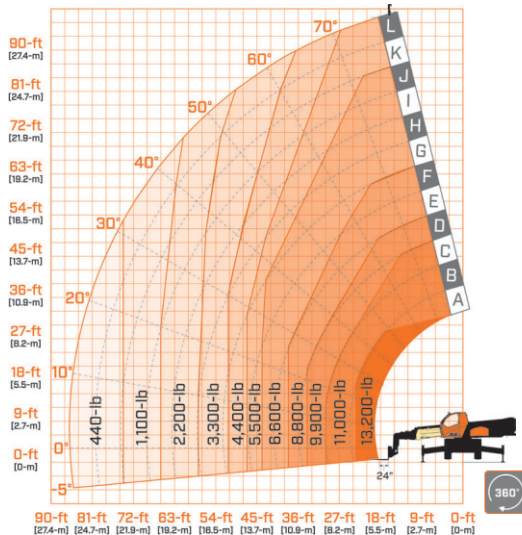


- A. Machine Length 330.7-in / 8400-mm
- B. Machine Width 98.4-in / 2500-mm
- C. Machine Width (outriggers fully deployed) 221.5-in / 5625-mm

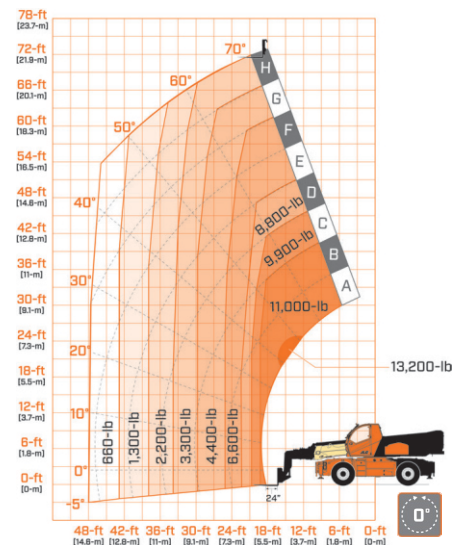
- D. Machine Height 121.9-in / 3095-mm
- E. Ground Clearance 16.5-in. / 420-mm
- F. Wheelbase 129.9-in / 3300-mm

## LOAD CHART

Outriggers Down



Outriggers Up



We provide coverage for one (1) Full year on the entire machine, two (2) full years or 2,000 hours on the drivetrain and cover all specified major structural components for five (5) years. Due to continuous product improvements, we reserve the right to make specification and/or equipment changes without prior notification.

Part No. 3132257 | R0223-2



JLG INDUSTRIES, INC.  
Toll-free US 877-JLG-LIFT  
JLG.com

An Dshkosh Corporation Company



866 874-0584 AERIALTITANS.COM