

600AJ HC3

BOOM LIFT

ARTICULATING HI-CAPACITY BOOM LIFT



AERIAL TITANS



HC3

**3 CAPACITY ZONES - EACH
RATED FOR 3 OCCUPANTS +
TOOLS/MATERIALS**

KEY SPECS

Platform Height
60-ft / 18.3-m

Up and Over Height
26-ft 6.4-in / 8.1-m

Horizontal Outreach
40-ft 6.9-in / 12.37-m

Platform Capacity
750/1000-lb / 340/454-kg - Restricted
660-lb / 300-kg - Unrestricted

KEY FEATURES

- Features three working zones for enhanced capacity; up to three workers and tools can fit onto the platform.
- Utilizes an upgraded light panel that is more visible in the sun and a chassis tilt alarm that alerts the operator when the machine is on a slope that exceeds 5 Degrees.
- Delivers a zero calibration automatic load sensing system that eliminates the need to use external weights to calibrate the machine.
- Available accessories and options provide the flexibility to upfit the machine to meet unique job requirements.

ACCESSORIES & OPTIONS

- 1/2-in Airline to Platform
- 43.5-lb Propane Tank
- AC Generator, 2500W or 4000W
- Accessory Packages:
 - SkyGlazier® Package
 - SkyPower® Package
 - SkyWelder® Package
- Arctic Package¹
- Cold Weather Package²
- Hostile Environment Package
- Light Package
- Platform Mesh to Mid or Top Rail
 - Aluminum or Plastic
- Platforms
 - Drop Bar, 30 x 36-in, 30 x 48-in, 30 x 60-in, 36 x 72-in
 - Fall Arrest, Rear Entry, 36 x 72-in, 36 x 96-in
 - Inward Self-Closing Swing Gate, 30 x 48-in, 30 x 60-in, 36 x 72-in, 36 x 96-in
- Tri-Entry, Drop Bar or Swing Gate, 36 x 72-in, 36 x 96-in
- SkySense® Enhanced Detection System
- Soft Touch
- Storage Tray - Center or Corner
- Tow Bar
- Welder Ready Package
- White Noise Alarm

STANDARD SPECIFICATIONS

Performance

Platform Height	60-ft / 18.3-m
Horizontal Outreach	40-ft 6.9-in / 12.37-m
Up and Over Height	26-ft 6.4-in / 8.1-m
Swing	360 Degrees Continuous
Platform Capacity - Restricted	750/1000-lb / 340/454-kg
Platform Capacity - Unrestricted	660-lb / 300-kg
Platform Rotator	180 Degrees Hydraulic
Jib Range of Articulation	130 Degrees (+70, -60)
Weight*	26,057-lb / 11,819-kg
Max. Ground Bearing Pressure	90 psi / 6.2 kg/cm ²
Drive Speed	4 mph / 6.45 km/h
Gradeability	45%
Tilt Cut Out	5 Degrees
Axle Oscillation	7.2-in / 18.3-cm
Turning Radius Inside	7-ft 1-in / 2.15-m
Turning Radius Outside	16-ft 11.3-in / 5.17-m

Engine

Dual Fuel - Ford MSG425	84 hp / 62 kW
Diesel Fuel - Deutz D2.9L4 Tier 4 Final	48.8 hp / 36.4 kW
Fuel Tank Capacity	30 gal / 113.6 L

Tires

Standard	Foam Filled, IN355/55D-625
Optional	Foam Filled Non-marking, IN355/55D-625 Foam Filled Turf & Sand, 41 x 18LL x 22.5

Hydraulic System

Capacity	30.6 gal / 115.8 L
Auxiliary Power	12V DC

STANDARD FEATURES

- 5 Degree Tilt Alarm/Indicator Light
- 12V-DC Auxiliary Power
- 110V-AC Receptacle in the Platform
- All Motion Alarm
- ClearSky Smart Fleet™ Hardware (CS550)**
- Control ADE® System
- Glow Plugs (Diesel Engines)
- Gull-Wing Hoods
- Horn
- Hourmeter
- LED Motion/Amber Beacon (CS550)**
- Lifting/Tie Down Lugs
- Load Sensing System
- Oscillating Axle
- Proportional Controls
- Platform Console Machine Status Light Panel***
- Swing-Out Engine Tray
- SkyGuard SkyLine™

*Certain Options or Country Standards Increase Weight.

**Standard Beacon and ClearSky Smart Fleet Hardware Availability Varies by Model Throughout 2023.

***Provides Indicator Lights at Platform Control Console for System Distress, Low Fuel, Degree Tilt Light and Foot Switch Status.

1. Includes Arctic Hydraulic Hoses (Drive And Steer Only) And Main Boom Cable, Extreme Cold Engine Oil, Fuel Conditioner, Engine Block Heater, Battery Blanket, Glow Plugs, Hydraulic Tank Heater, Oversized Foot Switch and Arctic Hydraulic Oil.
2. Includes Battery Blanket, Hydraulic Tank Heater, Engine Block Heater Pad.

Not All Options Can Be Outfitted On the Same Machine; Consult Factory for Compatibility.
Additional Accessories and Options Available Via JLG Aftermarket.

600AJ HC3

BOOM LIFT

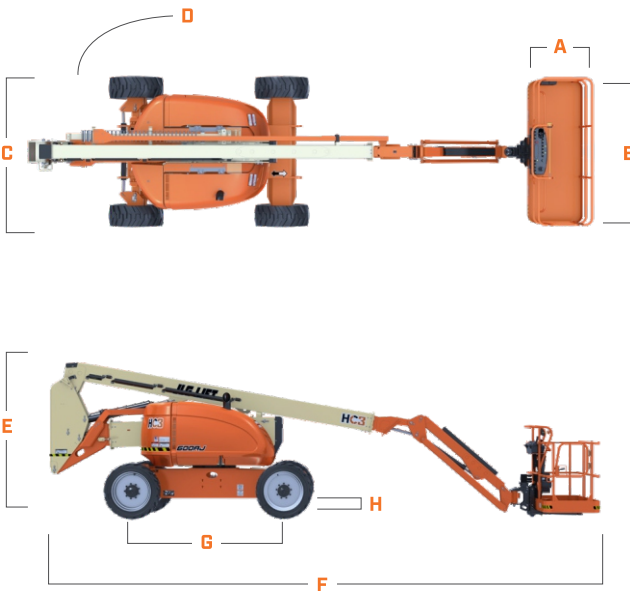
ARTICULATING HI-CAPACITY BOOM LIFT



AERIAL TITANS

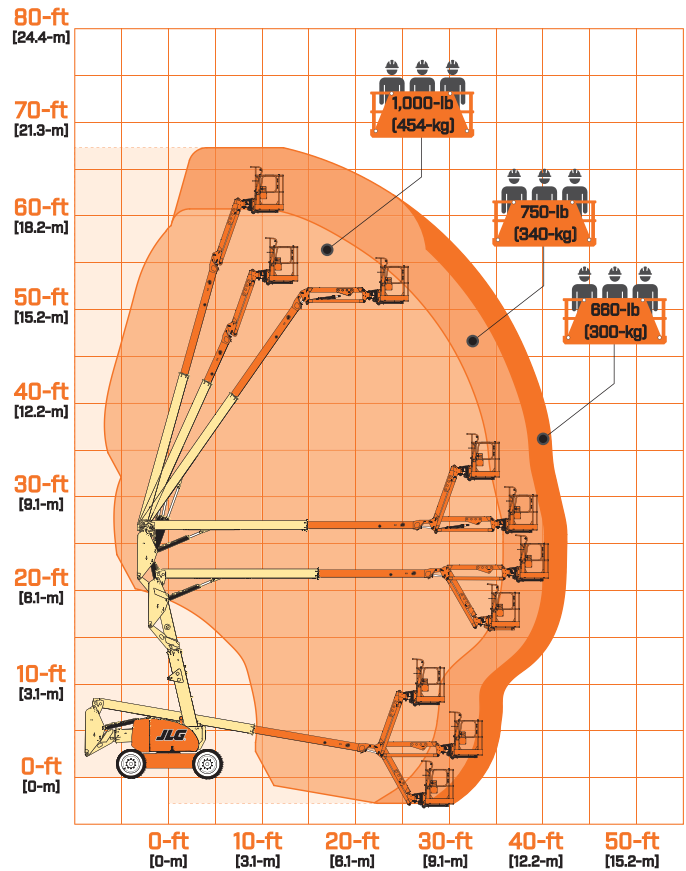
DIMENSIONS

All dimensions are approximate



- A. Platform Width 36-in / 0.91-m
- B. Platform Length 96-in / 2.44-m
- C. Machine Width 8-ft 2.2-in / 2.49-m
- D. Tailswing Zero
- E. Machine Height 8-ft 5.5-in / 2.58-m
- F. Machine Length 30-ft / 9.14-m
- G. Wheelbase 8-ft 1.9-in / 2.48-m
- H. Ground Clearance 11.8-in / 29-cm

REACH DIAGRAM



AERIAL TITANS

866 874-0584 AERIALTITANS.COM



We provide coverage for one (1) full year, and cover all specified major structural components for five (5) years. Due to continuous product improvements, we reserve the right to make specification and/or equipment changes without prior notification. This machine meets or exceeds applicable ANSI and CSA requirements based on machine configuration as originally manufactured for intended applications. Please reference the serial number plate on the machine for additional information.



JLG INDUSTRIES, INC.
Toll-free US 877-JLG-LIFT
JLG.com

An Oshkosh Corporation Company