

600AJ

ARTICULATING BOOM

BOOM LIFT



AERIAL TITANS



KEY SPECS

Platform Height
60-ft 7-in / 18.47-m

Up and Over Height
26-ft 7-in / 8.1-m

Horizontal Outreach
39-ft 9-in / 12.10-m

Platform Capacity
500-lb / 227-kg

KEY FEATURES

- Delivers a zero calibration automatic load sensing system that eliminates the need to use external weights to calibrate the machine.
- Delivers unmatched maneuverability for fined work areas with a fuel-efficient Tier 4 engine.
- Backed by industry-leading, customer-first service and support.
- Available accessories and options provide the flexibility to upfit the machine to meet unique job requirements

ACCESSORIES & OPTIONS

- 1/2-in Air Line to Platform
- 43.5-lb Propane Tank
- AC Generator, 2500W or 4000W
- Accessory Packages:
 - SkyGlazier® Package
 - SkyPower® Package
 - SkyWelder® Package
- Arctic Package¹
- Cold Weather Start Package²
- Hostile Environment Package
- Light Package
- Platform Mesh to Mid or Top Rail
 - Aluminum or Plastic
- Platforms
 - Drop Bar, 30 x 36-in, 30 x 48-in, 30 x 60-in, 36 x 72-in
 - Fall Arrest, Rear Entry, 36 x 72-in, 36 x 96-in
 - Inward Self-Closing Swing Gate, 30 x 48-in, 30 x 60-in, 36 x 72-in, 36 x 96-in
- Tri-Entry, Drop Bar or Swing Gate, 36 x 72-in, 36 x 96-in
- SkySense® Enhanced Detection System
- Soft Touch
- Storage Tray - Center or Corner
- Tow Bar
- Welder Ready Package
- White Noise Alarm

STANDARD SPECIFICATIONS

Performance

Platform Height	60-ft 7-in / 18.47-m
Horizontal Outreach	39-ft 9-in / 12.1-m
Up and Over Height	26-ft 7-in / 8.1-m
Swing	360 Degrees Continuous
Platform Capacity	500-lb / 227-kg
Platform Rotator	180 Degrees Hydraulic
Jib Range of Articulation	130 Degrees (+70, -60)
Weight*	22,691-lb / 10,292-kg
Max. Ground Bearing Pressure	75 psi / 5.5-kg/cm ²
Drive Speed	4.25 mph / 6.8 km/h
Gradeability 2WD / 4WD	30% / 45%
Tilt Cut Out	4 Degrees
Axle Oscillation	8-in / 20-cm
Turning Radius 2WS Inside	10-ft 11-in / 3.33-m
Turning Radius 2WS Outside	17-ft 8-in / 5.38-m
Turning Radius 4WS Inside	4-ft 7-in / 1.41-m
Turning Radius 4WS Outside	9-ft 7-in / 2.92-m

Engine

Dual Fuel – Ford MSG425	84 hp / 62 kW
Diesel Fuel – Deutz D2.9L4 Tier 4 Final	48.8 hp / 36.4 kW
Fuel Tank Capacity	30 gal / 113.6 L

Tires

Standard	Foam Filled, 1N355/55D-625
Optional	Foam Filled Non-marking, 1N355/55D-625 Foam Filled Turf & Sand, 41 x 18LL x 22.5

Hydraulic System

Capacity	30.6 gal / 115.8 L
Auxiliary Power	12V DC

STANDARD FEATURES

- 4 Degree Tilt Alarm/ Indicator Light
- 12V-DC Auxiliary Power
- 110V-AC Receptacle in the Platform
- All Motion Alarm
- ClearSky Smart Fleet™ Hardware (CS550)
- Control ADE® System
- Glow Plugs (Diesel Engines)
- Gull-Wing Engine Hood
- Horn
- Hourmeter
- LED Motion/Amber Beacon (CS550)
- Lifting/Tie Down Lugs
- Load Sensing System
- Oscillating Axle
- Platform Console Machine Status Light Panel**
- Proportional Controls
- SkyGuard SkyLine™
- Swing-Out Engine Tray

*Certain Options or Country Standards Increase Weight.

**Provides Indicator Lights at Platform Control Console for System Distress, Low Fuel, Degree Tilt Light and Foot Switch Status.

1. Includes Arctic Hydraulic Hoses (Drive And Steer Only) And Main Boom Cable, Extreme Cold Engine Oil, Fuel Conditioner, Engine Block Heater, Battery Blanket, Glow Plugs, Hydraulic Tank Heater, Oversized Foot Switch and Arctic Hydraulic Oil.
2. Includes Battery Blanket, Hydraulic Tank Heater, Engine Block Heater Pad.

Not All Options Can Be Outfitted On the Same Machine; Consult Factory for Compatibility. Additional Accessories and Options Available Via JLG Aftermarket.

600AJ

ARTICULATING BOOM

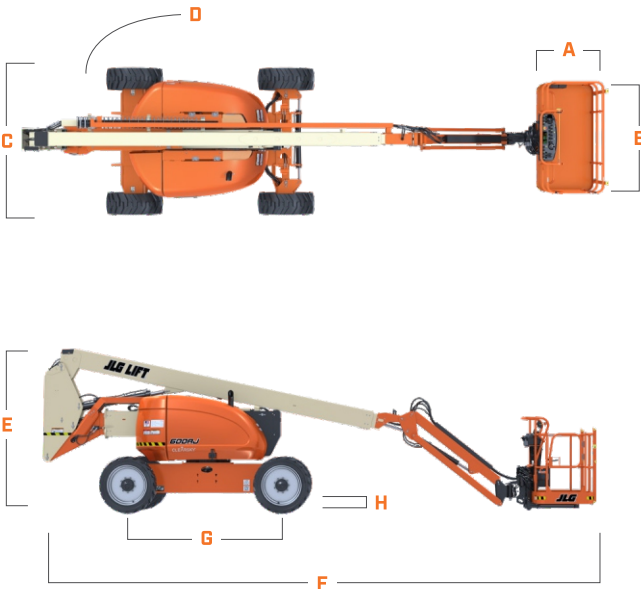
BOOM LIFT



AERIAL TITANS

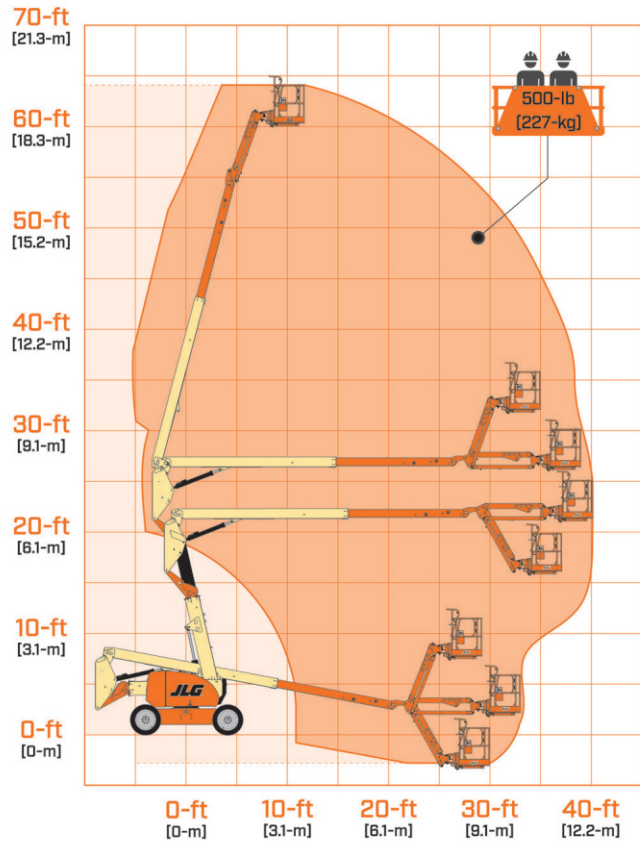
DIMENSIONS

All dimensions are approximate



- A. Platform Width 36-in / 0.91-m
- B. Platform Length 96-in / 2.44-m
- C. Machine Width 8-ft 2-in / 2.48-m
- D. Tailswing Zero
- E. Machine Height 8-ft 4-in / 2.54-m
- F. Machine Length 28-ft 11.5-in / 8.83-m
- G. Wheelbase 8-ft / 2.44-m
- H. Ground Clearance 12-in / 30-cm

REACH DIAGRAM



AERIAL TITANS

866 874-0584 AERIALTITANS.COM



We provide coverage for one (1) full year, and cover all specified major structural components for five (5) years. Due to continuous product improvements, we reserve the right to make specification and/or equipment changes without prior notification. This machine meets or exceeds applicable ANSI and CSA requirements based on machine configuration as originally manufactured for intended applications. Please reference the serial number plate on the machine for additional information.



JLG INDUSTRIES, INC.
Toll-free US 877-JLG-LIFT
JLG.com

An Oshkosh Corporation Business