

## AERIAL TITANS



### STANDARD SPECIFICATIONS

#### Performance

|                          |                                   |
|--------------------------|-----------------------------------|
| Platform Height          | 20-ft-4-in / 6.20-m               |
| Horizontal Outreach      | 6-ft 5-in / 1.97-m                |
| Up and Over Height       | 16-ft 8-in / 5.08-m               |
| Swing                    | 345 Degrees Non-continuous        |
| Platform Capacity        | 500-lb / 227-kg                   |
| Platform Size            | 32 x 36-in / 85 x 92-cm           |
| Weight*                  | 4,980-lb / 2,260-kg               |
| Ground Bearing Pressure  | 255 psi / 17.9 kg/cm <sup>2</sup> |
| Ground Clearance         | 3.9-in / 10-cm                    |
| Drive Speed (Stowed)     | 3.4 mph / 5.5 km/h                |
| Drive Speed (Elevated)   | 0.47 mph / 0.76 km/h              |
| Gradeability             | 25%                               |
| Turning Radius (Inside)  | 1-ft-10-in / 56-cm                |
| Turning Radius (Outside) | 6-ft-6-in / 1.98-m                |

\*Certain options or country standards increase weight

#### Power Source

|           |                           |
|-----------|---------------------------|
| Batteries | 24V-DC, 4 x 6V 213 ah AGM |
| Charger   | 27 amps                   |

#### Brakes

Spring Applied Disc

#### Tires

16-in x 5-in Non-Marking

### KEY SPECS

**Platform Height**  
20-ft-4-in / 6.20-m

**Up and Over Height**  
16-ft-8-in / 5.08-m

**Horizontal Outreach**  
6-ft 5-in / 1.97-m

**Platform Capacity**  
500-lb / 227-kg

### KEY FEATURES

- Reach up and over obstacles in tight spaces with a vertical telescopic mast with a jib.
- Equipped for indoor jobs with standard non-marking tires and efficient electric power, and for outdoor work with 25% gradeability.
- Unmatched positioning capabilities with a 345 degree rotating mast.
- Optimum battery life and more duty cycles with AC direct electric drive.

### STANDARD FEATURES

- 110V-AC Receptacle in the Platform
- 345 Degree Non-continuous Swing
- 5 Degree Tilt Alarm/Indicator Light
- All Motion Alarm
- Battery Condition Indicator
- ClearSky Smart Fleet™ Hardware (CS550)
- Emergency Lowering Pump
- Horn
- Hourmeter
- LED Motion/Amber Beacon (CS550)
- Lifting Eyes
- Load Sensing System
- Proportional Controls
- Platform, Saloon Gate
- SkyGuard SkyLine™
- Tie-down Lugs
- Warning Beacon

### ACCESSORIES & OPTIONS

- 1/2-in Airline
- 70W Platform Work Light
- Platform, Drop Bar

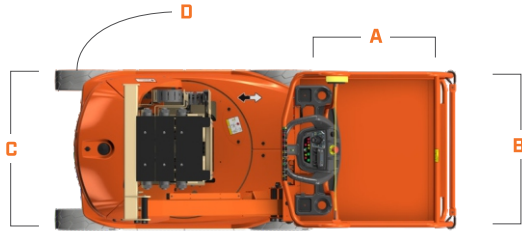


866 874-0584 AERIALTITANS.COM

# AERIAL TITANS

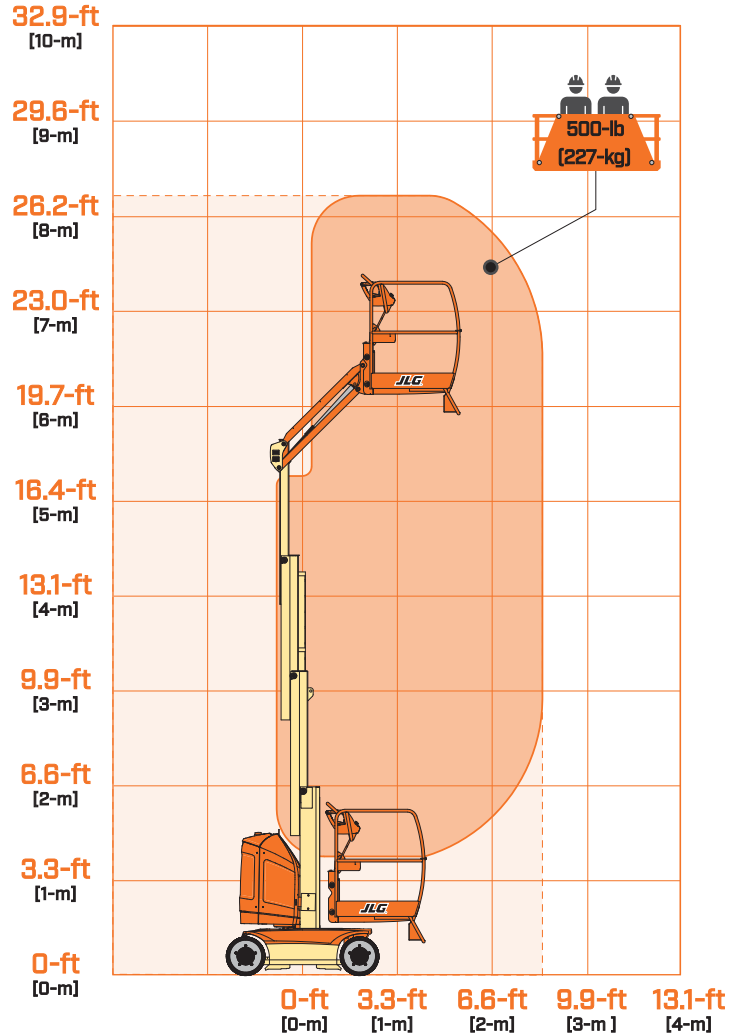
## DIMENSIONS

All dimensions are approximate



- A. Platform Width 36-in / 0.90-m
- B. Platform Length 32-in / 0.81-m
- C. Machine Width 3-ft 3-in / 0.99-m
- D. Tailswing 6.7-in / 17-cm
- E. Machine Height 6-ft-6-in / 1.98-m
- F. Machine Length 6-ft-11-in / 2.11-m
- G. Wheelbase 3-ft-11-in / 1.19-m
- H. Ground Clearance 3.9-in / 10-cm

## REACH DIAGRAM



We provide coverage for one (1) full year, and cover all specified major structural components for five (5) years. Due to continuous product improvements, we reserve the right to make specification and/or equipment changes without prior notification. This machine meets or exceeds applicable ANSI and CSA requirements based on machine configuration as originally manufactured for intended applications. Please reference the serial number plate on the machine for additional information.



866 874-0584 AERIALTITANS.COM



JLG INDUSTRIES, INC.  
Toll-free US 877-JLG-LIFT  
JLG.com

An Oshkosh Corporation Business