

1500AJP

ARTICULATING ULTRA BOOM

BOOM LIFT



AERIAL TITANS



KEY SPECS

Platform Height
150-ft / 45.72-m

Up and Over Height
60-ft 4-in / 18.4-m

Horizontal Outreach
75-ft / 22.86-m

Platform Capacity
1,000-lb / 454-kg - Restricted
600-lb / 272-kg - Unrestricted

KEY FEATURES

- Expansive work area with a maximum platform height of 150-ft, 60-ft 4-in of up and over height and 75-ft of horizontal outreach.
- Experience faster cycle speeds from ground to full elevation with exclusive QuikStik® boom technology.
- Designed for ease of transport with no oversized load permit needed (over-weight permit required for highway transportation).
- Simple, single sensor load sensing system features fewer parts and requires no weight to calibrate.

ACCESSORIES & OPTIONS

- Accessory Packages:
 - SkyWelder® Package
 - SkyPower® Package
 - SkyGlazier® Package
- Ambient White Noise Alarm
- Bolt On Fall Arrest System
- Cold Package Plus¹
- Cold Weather Package²
- Hostile Environment Package³
- Light Package
- Platform Mesh, Bolt On
 - Mesh to Top Rail, Plastic or Aluminum
 - Mesh to Mid Rail, Plastic or Aluminum
- Platform Options
 - Drop Bar
 - 30 x 36-in, 30 x 48-in, 36 x 72-in, 36 x 96-in
 - Fall Arrest, Rear Entry
 - 36 x 72-in 36 x 96-in
 - Inward Self-Closing Swing Gate
 - 30 x 48-in, 36 x 72-in, 36 x 96-in
- Tri-Entry, Drop Bar
 - 36 x 72-in, 36 x 96-in
- Tri-Entry, Swing Gate
 - 36 x 72-in, 36 x 96-in
- SkySense® Enhanced Detection System
- Soft Touch System
- Storage Tray, Center or Corner

STANDARD SPECIFICATIONS

Performance

Platform Height	150-ft / 45.72-m
Horizontal Outreach	75-ft / 22.86-m
Up and Over Clearance	60-ft 4-in / 18.4-m
Swing	360 Degrees Continuous
Platform Capacity (Restricted)	1,000-lb / 454-kg
Platform Capacity (Unrestricted)	600-lb / 272-kg
Platform Rotator	180 Degrees Hydraulic
Jib Length	8-ft / 2.4-m
Jib Range of Articulation	131 Degrees (+75, -55)
Jib Horizontal Rotation	125 Degrees (55 right, 70 left)
Weight*	57,380-lb / 26,027-kg
Max. Ground Bearing Pressure	122.5 psi / 8.4 kg/cm ²
Drive Speed	2.8 mph / 4.5 km/h
Gradeability	40%
Tilt Cut Out	5 Degrees
Turning Radius (Inside):	
Axles Retracted/Extended	23-ft 4-in (7.12-m) / 7-ft 6-in (2.3-m)
Turning Radius (Outside):	
Axles Retracted/Extended	31-ft 3-in (9.52-m) / 21-ft 8-in (6.6-m)

Engine

Diesel Engine – Deutz TCD 3.6L Tier IV F	99.8 hp / 74.4 kW
Fuel Tank Capacity	45 gal / 170 L

Tires

Standard	445/50D710 Foam-filled
----------	------------------------

Hydraulic System

Capacity	93 gal / 352 L
----------	----------------

STANDARD FEATURES

- 12V-DC Auxiliary Power
- 180 Degrees Hydraulic Platform Rotator
- AC Receptacle in Platform
- All Motion Alarm
- Articulating Jib
- ClearSky Smart Fleet™ Hardware (CS550)**
- Control ADE® System
- Dual USB Power Outlet
- Dual Rated Capacities (600/1,000-lb)
- Drive-Out Extendable Axles
- Engine Distress Warning/Shutdown—Selectable via JLG Analyzer
- Gull-Wing Steel Hoods
- Hourmeter
- Hydrostatic Drive
- LED Motion/Amber Beacon (CS550)**
- LCD Panel at Operator's Platform Control Console
- Lifting/Tie Down Lugs
- Load Sensing System
- Platform 36 x 96-in (.91 x 2.44-m)
- Platform Console Machine Status Light Panel***
- Proportional Controls
- QuikStik®
- SkyGuard SkyLine™
- Swing-Out Engine Tray
- Tilt Light and Alarm

*Certain Options or Country Standards Increase Weight.

**Standard Beacon and ClearSky Smart Fleet Hardware Availability Varies by Model Throughout 2023.

***Provides Indicator Lights at Platform Control Console for System Distress, Low Fuel, Degree Tilt Light and Foot Switch Status.

- Includes extreme cold engine oil, fuel conditioner, engine block heater, battery blanket, glow plugs, hydraulic tank heater, oversized footswitch and arctic hydraulic oil priced separately.
- Includes battery blanket, hydraulic tank heater, block heater.
- Includes console cover, boom wipers and cylinder bellows.

Additional accessories and options available via JLG Aftermarket.

1500AJP

ARTICULATING ULTRA BOOM

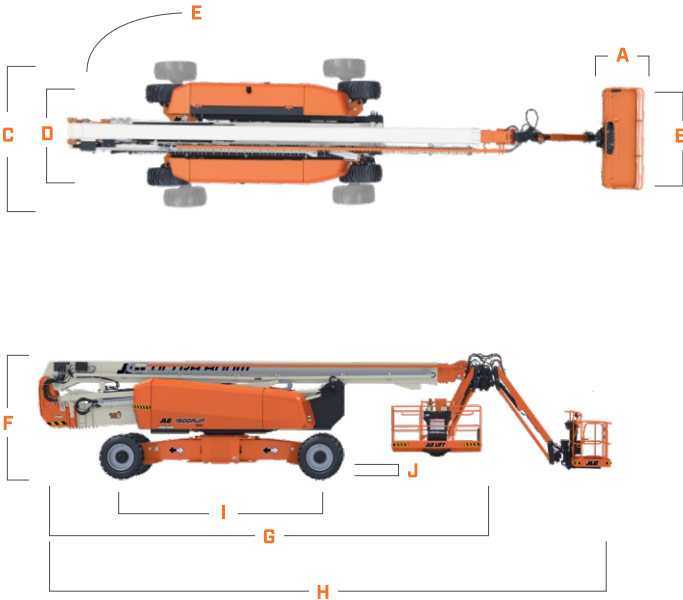
BOOM LIFT



AERIAL TITANS

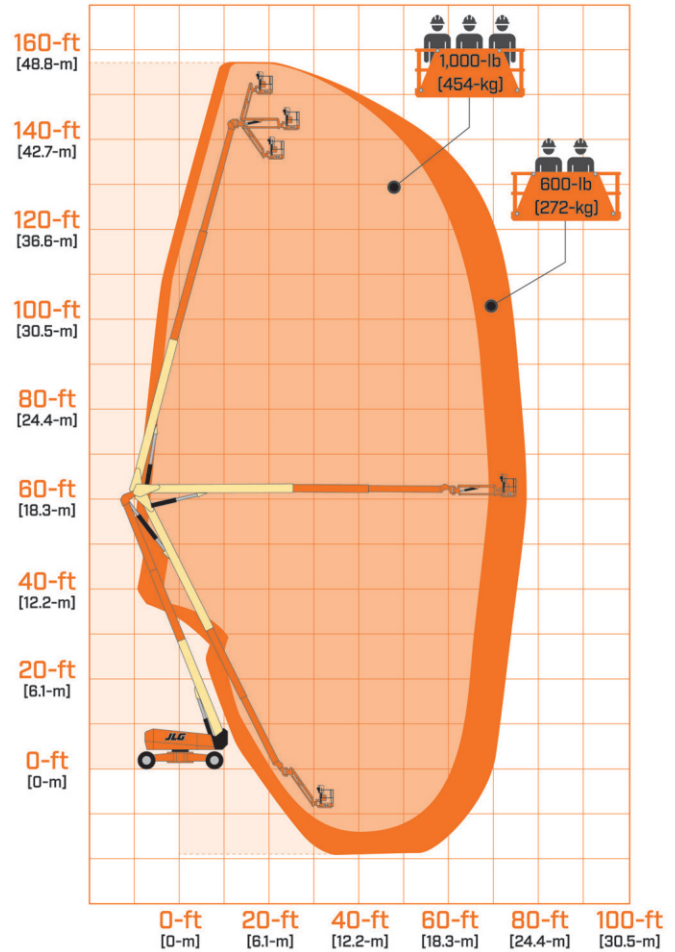
DIMENSIONS

All dimensions are approximate



- A. Platform Width 36-in / 0.91-m
- B. Platform Length 96-in / 2.44-m
- C. Machine Width - Axles Extended 16-ft 6-in / 5-m
- D. Machine Width - Axles Retracted 8-ft 1.5-in / 2.49-m
- E. Tailswing 2-ft 5-in / .7-m
- F. Machine Height 10-ft 2-in / 3.1-m
- G. Machine Length - Stowed 39-ft 8-in / 12.09-m
- H. Machine Length - Overall 49-ft 8-in / 15.1-m
- I. Wheelbase 15-ft / 4.6-m - Axles Extended
17-ft 1.50-in / 5.22-m - Axles Retracted
- J. Ground Clearance 15-in / 38-cm - Axle
15.75-in / 40-cm - Chassis

REACH DIAGRAM



AERIAL TITANS

866 874-0584 AERIALTITANS.COM



We provide coverage for one (1) full year, and cover all specified major structural components for five (5) years. Due to continuous product improvements, we reserve the right to make specification and/or equipment changes without prior notification. This machine meets or exceeds applicable ANSI and CSA requirements based on machine configuration as originally manufactured for intended applications. Please reference the serial number plate on the machine for additional information.



JLG INDUSTRIES, INC.
Toll-free US 877-JLG-LIFT
JLG.com

An Oshkosh Corporation Company