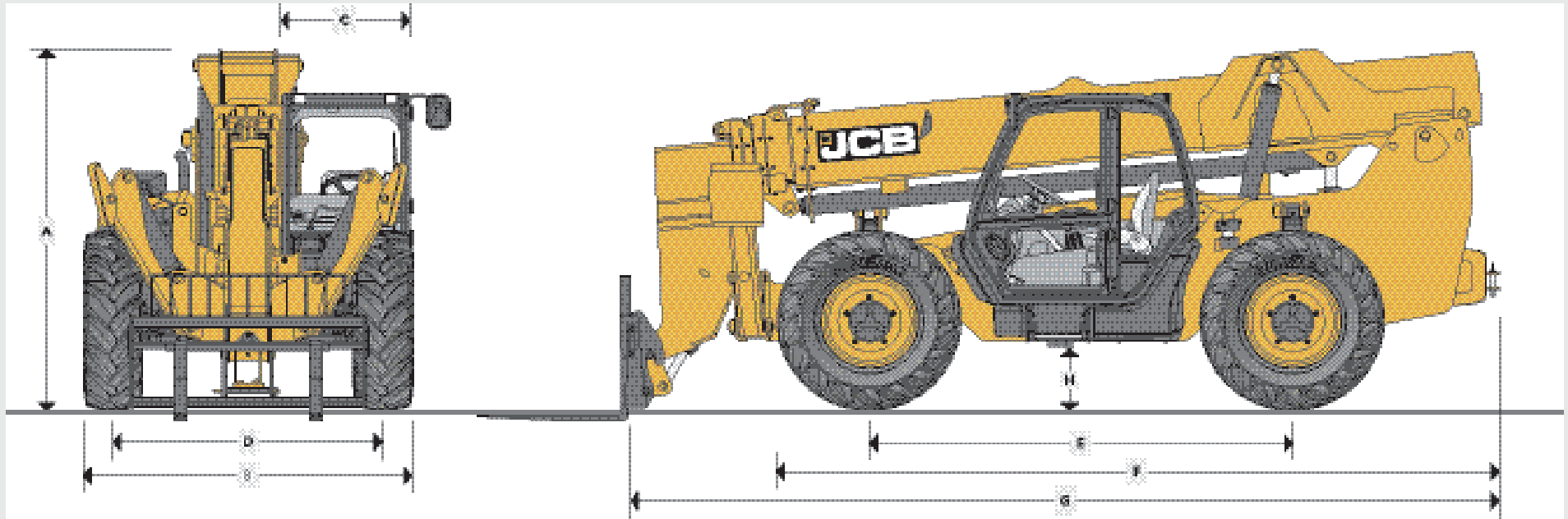


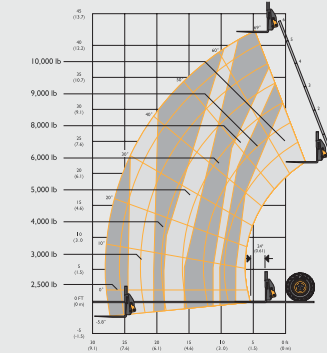
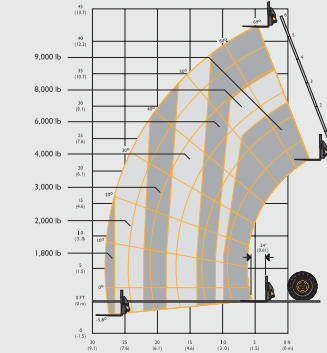
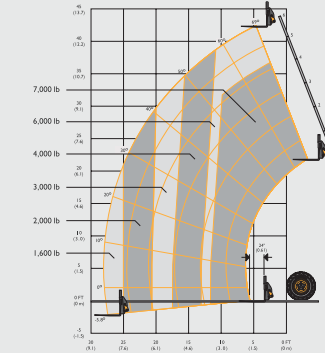
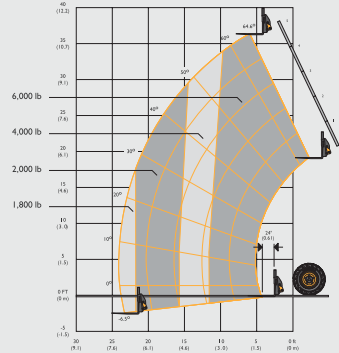
STATIC DIMENSIONS

AERIAL TITANS

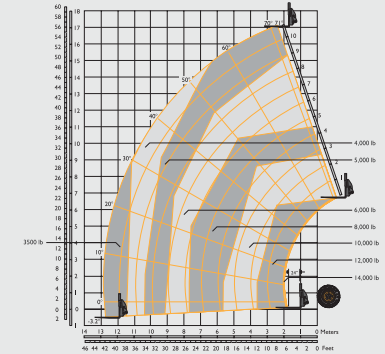
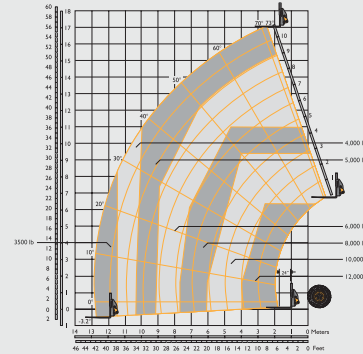
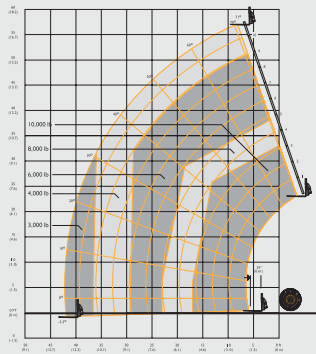


Machine model		506-36	507-42	509-42	510-42	510-56	512-56	514-56
A Overall height	ft-in (mm)	8-3 (2,510)	8-3 (2,525)	8-3 (2,525)	8-3 (2,525)	8-10 (2,692)	8-10 (2,692)	8-11 (2,716)
B Overall width (over tires)	ft-in (mm)	7-10 (2,388)	7-10 (2,388)	7-10 (2,388)	7-10 (2,388)	8-1 (2,471)	8-1 (2,471)	8-1 (2,475)
C Inside width of cab	ft-in (mm)	3-1 (940)	3-1 (940)	3-1 (940)	3-1 (940)	3-1 (940)	3-1 (940)	3-1 (940)
D Front track	ft-in (mm)	6-4 (1,936)	6-7 (2,008)	6-7 (2,008)	6-7 (2,008)	6-7 (2,008)	6-7 (2,008)	6-7 (2,008)
E Wheelbase	ft-in (mm)	10-4 (3,150)	10-4 (3,150)	10-4 (3,150)	10-4 (3,150)	10-4 (3,150)	10-4 (3,150)	10-4 (3,150)
F Overall length to front tires	ft-in (mm)	17-1 (5,211)	17-8 (5,386)	17-0 (5,183)	17-8 (5,385)	17-9 (5,406)	17-9 (5,406)	18-4 (5,596)
G Overall length to front carriage	ft-in (mm)	19-5 (5,918)	21-3 (6,477)	20-7 (6,274)	21-3 (6,477)	21-7 (6,579)	21-7 (6,579)	22-4 (6,815)
H Ground clearance	ft-in (mm)	1-3½ (396)	1-3½ (396)	1-3½ (396)	1-3½ (396)	1-5½ (444)	1-5½ (444)	1-5½ (444)
Outside turn radius (over tires)	ft-in (mm)	14-6 (4,420)	13-9 (4,191)	13-9 (4,191)	13-9 (4,191)	14-1 (4,293)	14-1 (4,293)	14-4 (4,365)
Weight	lb (kg)	20,270 (9,193)	21,300 (9,660)	22,430 (10,172)	23,858 (10,822)	29,900 (13,560)	30,635 (13,895)	32,143 (14,580)
Tires		13.00-24	14.00-24	14.00-24	14.00-24	17.5-25	17.5-25	17.5-25

LIFT PERFORMANCE



Machine model		506-36	507-42	509-42	510-42
Lift height	ft-in (mm)	36-4 (11,070)	42-0 (12,800)	42-0 (12,800)	42-0 (12,800)
Maximum lift capacity	lb (kg)	6,000 (2,722)	7,000 (3,175)	9,000 (4,084)	10,000 (4,537)
Lift capacity to full height (on tires)	lb (kg)	6,000 (2,722)	6,000 (2,722)	6,000 (2,722)	6,000 (2,722)
Lift capacity at full reach	lb (kg)	1,800 (816)	1,600 (725)	1,800 (816)	2,500 (1,133)
Reach at maximum lift height	ft-in (mm)	6-4 (1,930)	4-11 (1,500)	4-11 (1,500)	4-11 (1,500)
Maximum forward reach	ft-in (mm)	24-0 (7,310)	28-0 (8,530)	28-0 (8,530)	28-0 (8,530)
Frame sway left or right	degrees	10	10	10	10



Machine model		510-56	512-56	514-56
Lift height	ft-in (mm)	56-0 (17,070)	56-0 (17,070)	56-0 (17,070)
Maximum lift capacity	lb (kg)	10,000 (4,537)	12,000 (5,444)	14,000 (6,350)
Lift capacity to full height (on tires)	lb (kg)	3,000 (1,361)	4,000 (1,814)	4,000 (1,814)
Lift capacity to full height (on stabilizers)	lb (kg)	4,000 (1,814)	5,000 (2,268)	5,000 (2,268)
Lift capacity at full reach (on tires)	lb (kg)	300 (136)	300 (136)	500 (227)
Lift capacity at full reach (on stabilizers)	lb (kg)	3,000 (1,360)	3,500 (1,587)	3,500 (1,587)
Reach at maximum lift height	ft-in (mm)	8-2 (2,490)	8-2 (2,490)	8-2 (2,490)
Maximum forward reach	ft-in (mm)	42-0 (12,800)	42-0 (12,800)	42-0 (12,800)
Frame sway left or right	degrees	10	10	10

*Load charts are graphic representations, please consult technical load charts for full details.

ENGINE			
Machine model		506-36 / 507-42 / 509-42 / 510-42 / 510-56 / 512-56	509-42 S / 510-42 S / 510-56 S / 512-56 S / 514-56 S
Emissions level		Tier 4	Tier 4
Manufacturer		JCB	JCB
Displacement	ltr	4.4	4.4
No. of cylinders		4	4
Bore size	in (mm)	4.05 (103)	4.05 (103)
Stroke	in (mm)	5.0 (132)	5.0 (132)
Aspiration		Turbocharged cooled & Intercooler	Turbocharged cooled & Intercooler
Power rating			
Power @ 2200 RPM	hp (kW)	74 (55)	109 (81)
Torque rating			
Torque @ 1300 RPM	Nm	400	504

SERVICE CAPACITIES			
Hydraulic tank	gallon (liters)		35 (132)
Coolant	gallon (liters)		6 (23)
Engine oil sump	gallon (liters)		3.6 (14)
Fuel tank	gallon (liters)		33.3 (126.3)

CYCLE TIMES								
Machine model		506-36	507-42	509-42	510-42	510-56	512-56	514-56
Lift	Seconds	11.2	11.7	13.8	13.8	18	18	16.8
Lower	Seconds	7.3	7.6	9.2	9.2	12.4	12.4	15.5
Extend	Seconds	8.5	9.7	9.7	9.7	24.2	24.2	22.7
Retract	Seconds	9.9	10.6	10.6	10.6	16.4	16.4	16.4
Bucket dump	Seconds	4	4	4	4	6.4	6.4	6.4
Bucket crowd	Seconds	3	3	3	3	3.7	3.7	4.5
Stabilizer down	Seconds	N/A	N/A	N/A	N/A	5.5	5.5	5.5
Stabilizer up	Seconds	N/A	N/A	N/A	N/A	4	4	4
Rear Axle Stabilization (RAS) System	Seconds	No	Yes	Yes	Yes	Yes	Yes	Yes

HYDRAULICS			
Two stage gear pump with suction strainer and filter			
Operating system pressure	psi (bar)	3,770 (260)	
Main Hydraulics	gpm (lpm)	29 (110)	
Auxiliary Flow	gpm (lpm)	16 (60)	
TRANSMISSION	JCB powershift transmission incorporating torque converter, bevel box and a 4 speed powershift gearbox in one resiliently mounted unit. Front and rear drive axles: JCB epicyclic hub reduction drive/steer axles with Max-Trac torque proportioning differentials. Travel speed: 15.5 mph (25 kph).		
BRAKES	Service brakes: Hydraulically activated, self-adjusting, oil-immersed in-board high back-off multi-disc type on front axle. Parking brake: Hand-operated disc brake on output of gearbox (55 kW/74 hp, 81 kW/109 hp) – oil immersed disc type).		
BOOM AND CARRIAGE	Boom is manufactured from high tensile steel. JCB self-levelling carriage pallet forks and a wide range of attachments.		
ELECTRICS	12 V negative earth. 95 AH battery. 95 amp alternator.		
STEERING	Hydrostatic power steering with power track rods on both axles. Three steer mode options: front wheel steer; all wheel steer; crab steer: operated from in the cab by a selection lever.		
CAB	Quiet, safe and comfortable cab conforms to ROPS ISO 3471 and FOPS ISO 3449. Tinted glass all round with laminated front and roof screen. Roof bars, front, rear and roof screen wash/wipe and heater/screen demister. Audio-visual warning system for coolant temperature, water in fuel, engine oil pressure, air cleaner, battery charge, transmission oil temperature and pressure. Hour meter and road speed indicator. Engine temperature, fuel gauge and clock. Adjustable steering column with stalk bar powershift change and forward reverse shuttle. Throttle and brake pedal floor mounted. Adjustable suspension seat with adjacent park brake.		
OPTIONS AND ACCESSORIES	Front and rear working lights, rotating flashing beacon, road lights, non-marking, foam-filled, turf tires, windshield and roof guard, radio kit, air conditioning, and carriage options available – contact your local dealer.		



ONE COMPANY, MORE THAN 300 MACHINES.

CONSTRUCTION LIFT & PLACE LOADALL RANGE

JCB North America

2000 Bamford Blvd., Pooler, Georgia, 31322 Tel: (912) 447-2000

Download the very latest information on this product range at www.jcb.com

JCB inc. All rights reserved. No part of this publication may be reproduced, stored in a retrieval system, or transmitted in any form or by any other means, electronic, mechanical, photocopying or otherwise, without prior permission from JCB inc. All references in this publication to operating weights, sizes, capacities and other performance measurements are provided for guidance only and may vary dependant upon the exact specification of machine. They should not therefore be relied upon in relation to suitability for a particular application. Guidance and advice should always be sought from your JCB Dealer. JCB reserves the right to change specifications without notice. Illustrations and specifications shown may include optional equipment and accessories. The JCB logo is a registered trademark of J.C. Bamford Excavators Ltd.

 JCBNA
  @JCBNA
  JCBNORTHAMERICA
  JCBNA


**AERIAL
TITANS**
 (866)874-0584 aerialtitans.com


JCB