



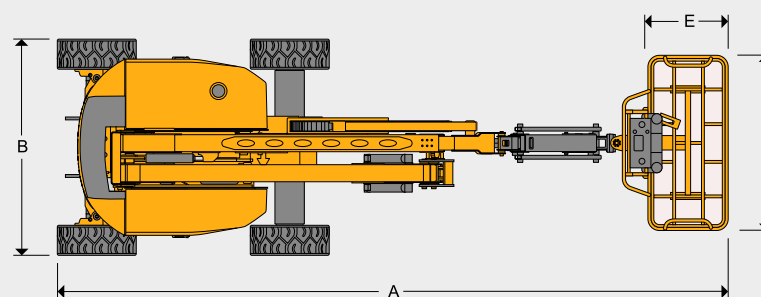
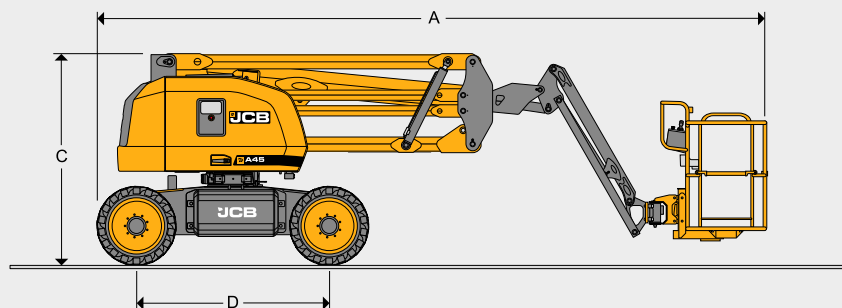
**ARTICULATED BOOM | A45E / A45EH**

Platform height: 45ft (13.84m) Platform capacity: 660lbs (300kg) Platform reach: 24ft (7.4m)

 **AERIAL TITANS**

 **JCB**

**DIMENSIONS**



DIMENSIONS		A45E	A45EH
	Weight	lbs (kg)	17100 (7750) / 17550 (7930)
A	Length (stowed)	ft-in (m)	23-1 (7.04)
B	Width (stowed)	ft-in (m)	7-5 (2.26)
C	Height (stowed)	ft-in (m)	7-4 (2.23)
D	Wheelbase	ft-in (m)	6-8 (2.03)
	Tail swing	in (m)	5 (0.12)
	Ground clearance	ft-in (m)	1-0 (0.31)

PLATFORM		A45E	A45EH
E	Platform length	ft-in (m)	2-9 (0.84)
F	Platform width	ft-in (m)	6-0 (1.84)
	Platform height	ft-in (m)	4-1 (1.24)
	Entry type		Drop bar
	Entry number		3
	Occupancy		2
	Capacity	lbs (kg)	660 (300)
	Rotation	degrees	160
	Crush protection $\square$ electronic		Std

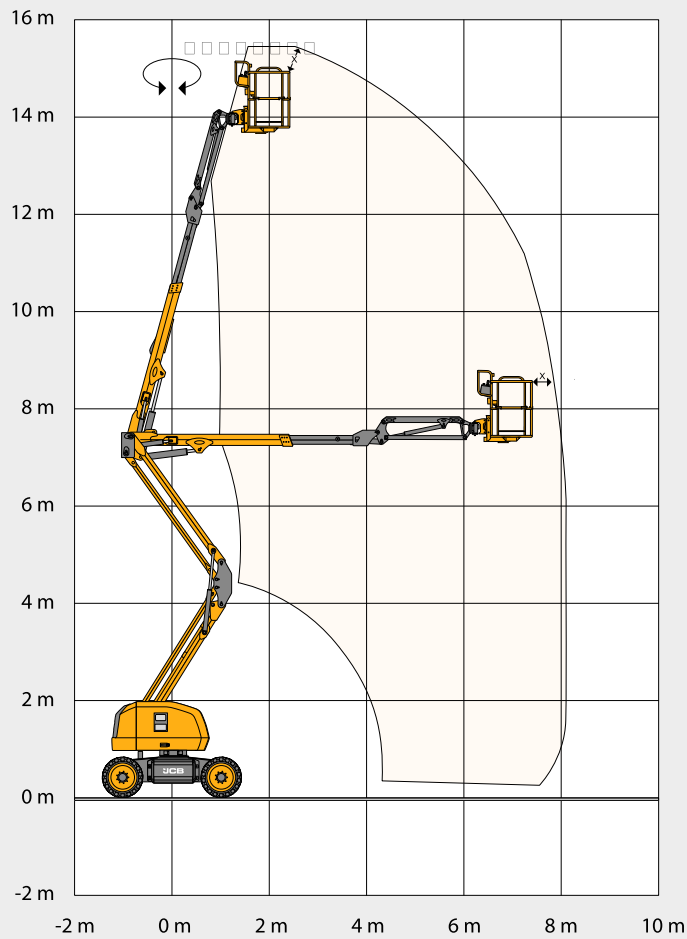
ELECTRICS		A45E
Voltage	v	48
Battery make		VISION
Battery model		EVL16-400A-AM
Capacity	Ah	400
Tilt sensor setting	Degree	5

ENGINE		A45EH
Make		Kohler
Type		Diesel 4 stroke, In line-3 cylinder
Model		KDW1003
Power	hp (kW)	20 (14.8)
Rated speed	rpm	3000
Turbo		-
Intercooler		-
Fuel tank capacity	US Gal (L)	10.6 (40)

DRIVELINE		A45E	A45EH
Drive			4WD
Max stowed speed	mph (km/h)		4.4 (7.0)
Max raised speed	mph (km/h)		0.5 (0.87)
Gradeability	%		40

TYRES		A45E	A45EH
Type			Foam fill non-marking
Size			33x12D610

LIFT PERFORMANCE

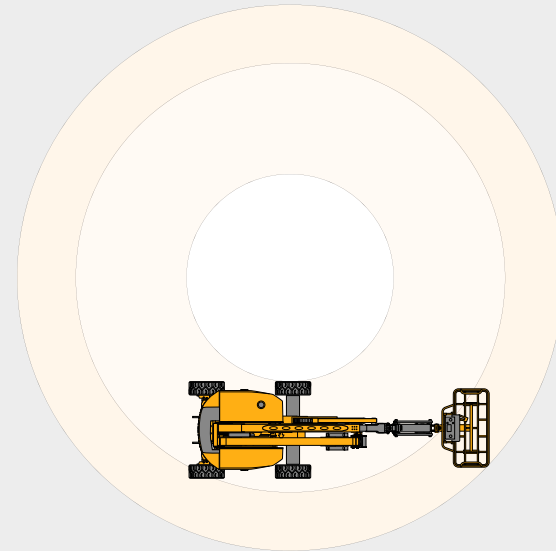


X = Working envelope

		A45E	A45EH
Platform height	ft-in (m)		45-5 (13.84)
Horizontal reach	ft-in (m)		24-6 (7.47)
Up and over clearance*	ft-in (m)		24-6 (7.48)
Rotation	degrees		355
Wind speed	mph (m/s)		28 (12.5)

\* Up and over clearance is the max height that the basket can reach horizontally

TURNING CIRCLE



		A45E	A45EH
Type			2WS
Turning radius (inside)	ft-in (m)		8-8 (2.65)
Turning radius (outside)	ft-in (m)		15-4 (4.67)
Max circle in folded position	ft-in (m)		19-7 (5.96)

LIVELINK

	A45E	A45EH
LiveLink		Std



866 874-0584 AERIALTITANS.COM



ARTICULATED BOOM A45E / A45EH

 **AERIAL TITANS**