

SPECIFICATION

JCB E-TECH



ELECTRIC COMPACT TELEHANDLER | 505-20E

Battery capacity: 96V 24kWh Zero Emissions. Lithium-ion Technology.

 **AERIAL TITANS**

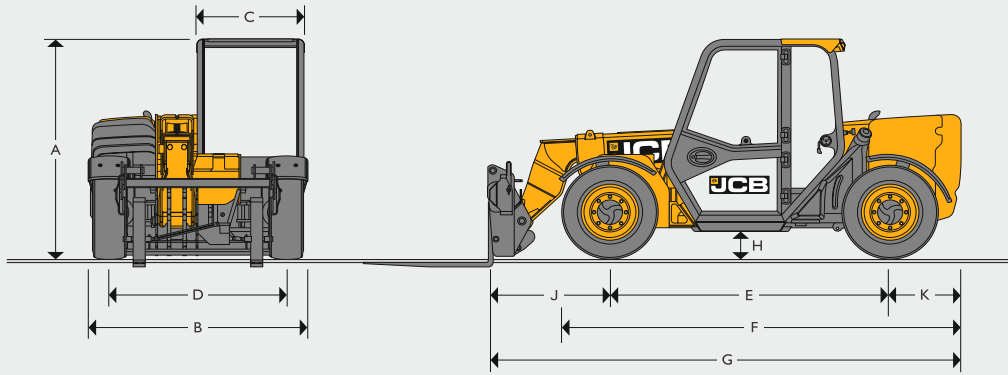
 **JCB**

SPECIFICATION

505-20E ELECTRIC COMPACT TELEHANDLER

AERIAL TITANS

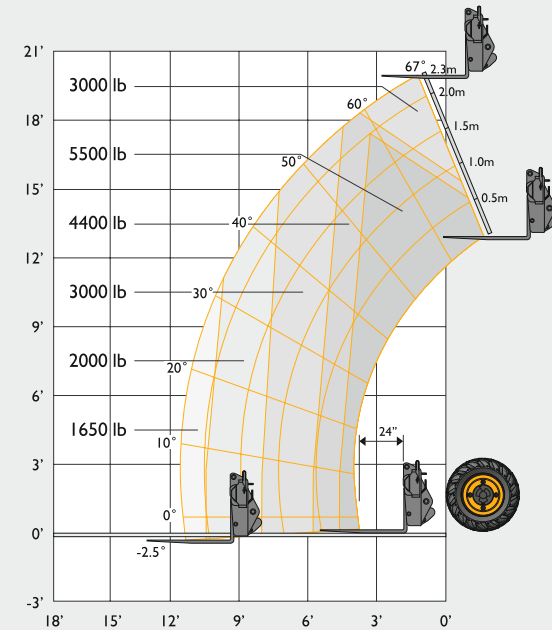
STATIC DIMENSIONS



A	Overall height*	ft-in (m)	6-2 (1.89)
B	Overall width (over tires)*	ft-in (m)	6-0 (1.84)
C	Inside width of cab	ft-in (m)	2-10 (0.88)
D	Front track	ft-in (m)	5-0 (1.53)
E	Wheelbase	ft-in (m)	7-10 (2.39)
F	Overall Length to front tires	ft-in (m)	11-1 (3.38)
G	Overall length to front carriage	ft-in (m)	13-1 (4.0)
H	Ground clearance	ft-in (m)	0-8 (22)
J	Front wheel center to carriage	ft-in (m)	1-11 (0.6)
K	Rear wheel centre to rear face	ft-in (m)	0.6
	Outside turn radius (over tires)	ft-in (m)	3.7
	Carriage roll back angle	degrees	11
	Carriage dump angle	degrees	114
	Weight	lb (kg)	11,464 (5200)
	Tires	Industrial	12x16.5

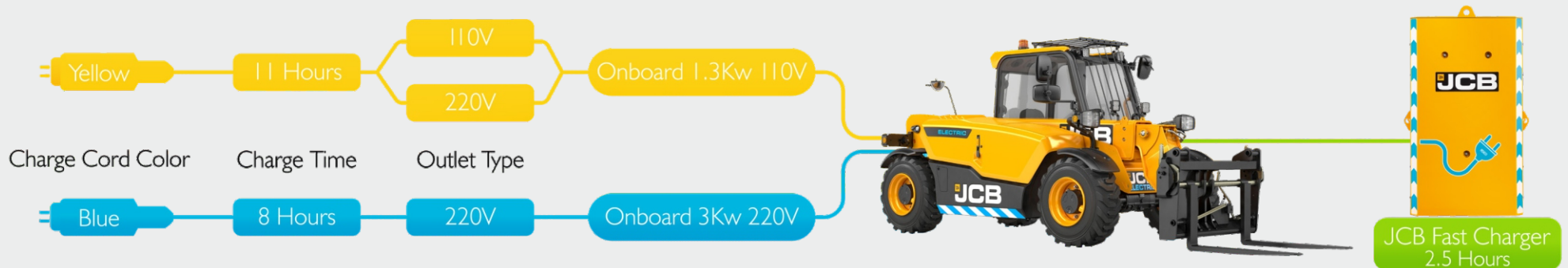
*Dependant upon tire specified.

LIFT PERFORMANCE



Maximum lift capacity	lb (kg)	5,500 (2500)
Lift capacity to full height	lb (kg)	3,000 (1,360)
Lift capacity at full reach	lb (kg)	1,650 (748)
Lift height	lb (kg)	20-0 (6.0)
Reach at maximum lift height	ft-in (cm)	-0-5 (-15)
Maximum forward reach (to front of carriage)	ft-in (m)	11-0 (3.5)

Complies with stability test ANSI B56.6



POWER SOURCE

Battery type	Lithium-ion
Gross capacity	24kWh
System voltage	96V
Manufacturer	Jungheinrich

MOTORS

	Traction	Hydraulic
Motor type	3 phase AC (induction)	3 phase AC (induction)
Motor power	23 HP (17kW))	30 HP (22kW)
Max speed	6000rpm	3000rpm
Peak torque	220Nm	130Nm
Manufacturer	Jungheinrich	Jungheinrich

HYDRAULICS

Internal gear pump, fitted with suction strainer and filter. Smart hydraulics on lower and retract with separate filtration on pilot services. Optional boom end aux services.

Operating System Pressure	psi (bar)	3553 (245)
Max flow at system pressure	gal/min (l/min)	17 (65)
Auxiliary Flow	gal/min (l/min)	21 (80)
Hydraulic cycle times	Seconds	
Boom raise		9.9
Boom lower		6.2
Boom extend		10.3
Boom retract		10.0
Bucket dump		4.5
Bucket crowd		4.5

TRANSMISSION

Permanent 4WD transmission with independent drive motor and regenerative braking.

Speed	mph (kph)	Forward	Reverse
		9 (15)	9 (15)

ELECTRICS

System voltage	Volt	12v/96v
----------------	------	---------

NOISE AND VIBRATION

Measurement conditions			
Noise at the operator station	(LpA)	75	Determined in accordance with the test method defined in EN12053.
Noise emission from the machine	(dBA)	93.6	Guaranteed equivalent sound power (external noise) determined in accordance with the dynamic test conditions defined in 2000/14/EC.
Whole body vibration	ft/s ² (m/s ²)	4.1 (1.24)	ISO 2631-1:1997 normalized to an 8h reference period and based upon a test cycle defined in SAE J1166.
Hand-arm vibration	ft/s ² (m/s ²)	4.2 (1.27)	ISO 5349-2:2001 dynamic test conditions.

SERVICE FILL CAPABILITIES

Hydraulic system	gal (l)	11.8 (45)
------------------	---------	-----------

AXLES

Front and rear drive JCB axles: epicyclic hub reduction drive/steer axles.

BRAKES

Service brakes: Hydraulically operated self-adjusting.

Parking brake: SAHR Handbrake self adjusting operated by in-cab switch.

BOOM AND CARRIAGE

Boom is manufactured from high tensile steel. Low maintenance, hard wearing pads.

Coupler options: JCB Q-Fit, JCB Compact Tool Carrier and Skid Steer

STEERING

Hydrostatic power steering with power track rods on both axles.

Three steer mode options: Front wheel steer, all wheel steer, crab steer, operated from in the cab by a selection lever.

OPERATOR STATION

Quiet, safe and comfortable cab conforms to ROPS ISO 3471 and FOPS ISO 3449. Single lever servo joystick, incorporating forward/neutral/reverse, with progressive extend/retract and auxiliary functions. Display includes battery charge, hour meter, road speed indicator, clock.

STANDARD FEATURES

- Fenders
- White Noise Reverse alarm
- LiveLink telematics
- 110v On-board Charger
- Front Work Lights (LED)
- Amber Beacon (LED)
- Single auxiliary port
- 3 in. Orange seat belt
- Recovery hitch
- Battery isolator
- Face Fan
- Safety Strut

OPTIONS

- Cab or Canopy
- Various Attachments
- Pneumatic, semi-solid, non-marking or turf tires
- Front end coupler: Q-Fit, Compact Tool Carrier, Skid Steer
- Road Lights
- Work Lights (LED)
- White Noise Alarm
- Front and Roof Screen Guards
- Radio Ready (Speakers Only)
- Head Light Guards
- Sunblind
- Adjustable Steering Column



866 874-0584 AERIALTITANS.COM