

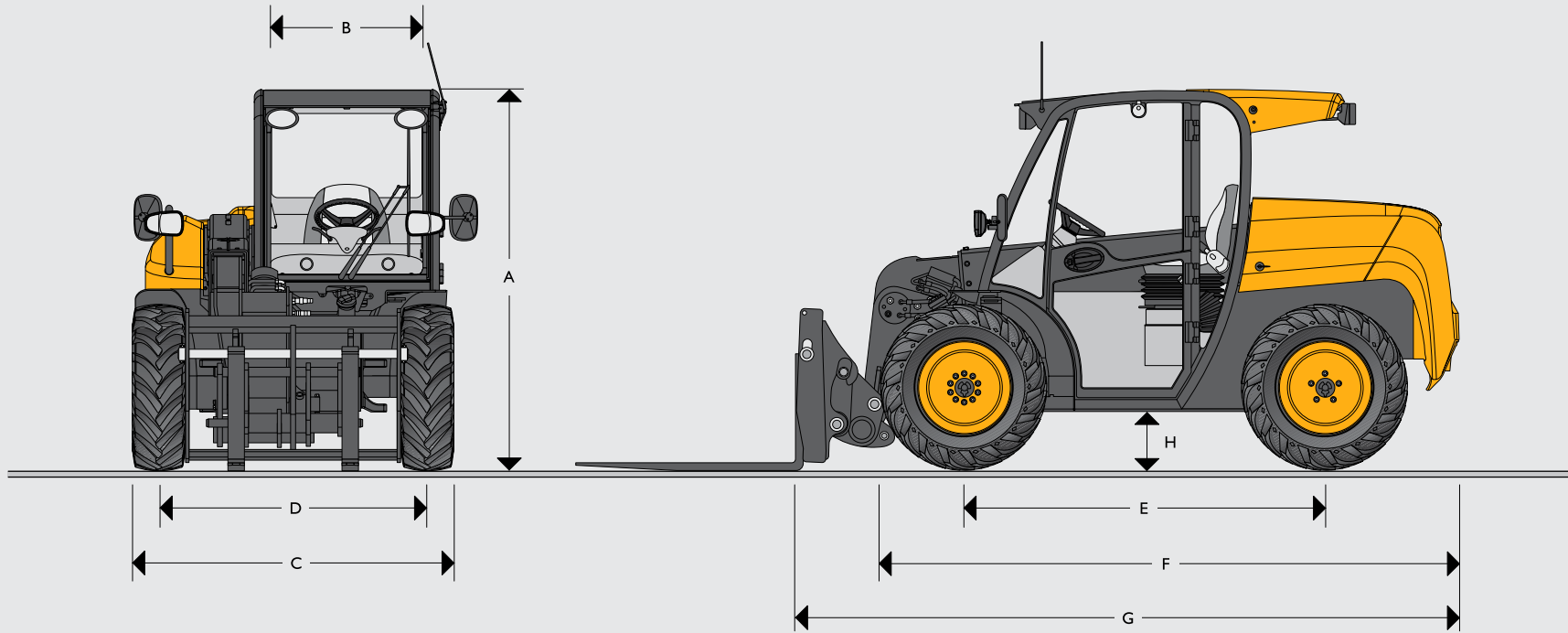


## TELESCOPIC HANDLER | 504-13 LOADALL

Gross power: 39 hp (29 kW) | Lift capacity: 4,000 lb (1,815 kg) | Maximum lift height: 13'3" (4.04 m)

 **AERIAL TITANS**

 **JCB**



#### STATIC DIMENSIONS

Model	504-13	
A Overall height	ft-in (m)	6-6 (1.97)
A Overall height with wiper	ft-in (m)	6-6 (1.97)
B Inside width of cab	ft-in (m)	3-0 (0.92)
C Width (over tires)*	ft-in (m)	5-1 (1.56)
D Front track	ft-in (m)	4-3 (1.3)
E Wheelbase	ft-in (m)	6-3 (1.90)
F Overall length to front of tires	ft-in (m)	9-6 (2.92)
G Overall length to front of carriage	ft-in (m)	11-1 (3.38)
H Ground clearance	ft-in (m)	11-0 (0.27)
Outside turn radius (over tires)	ft-in (m)	10-0 (3.05)
Weight	lb (kg)	9,700 (4,400)
Carriage rollback angle	degrees	38/31*
Carriage dump angle	degrees	33/40*
Tires	traction	11.5/80-15.3
Tires	industrial	10x16.5
Tires	semi-turf	

\* Compact Loadall Quickhitch/Skid Steer Quickhitch

#### LIFT PERFORMANCE

Model	504-13	
Lift capacity to full height	lb (kg)	4,000 (1,815)
Lift capacity at full reach	lb (kg)	1,875 (850)
Payload at 6.5 ft (2.0 m) boom extension	lb (kg)	1,875 (850)
Maximum lift height	ft-in (m)	13-3 (4.04)
Reach at maximum lift height	ft-in (m)	2-11 (0.89)
Maximum forward reach	ft-in (m)	8-11 (2.72)

Complies with stability test ANSI B56.6



866 874-0584 AERIALTITANS.COM

ENGINE		
		504-13
Manufacturer		Perkins
Model		403F-E17T
Displacement	l	1.7
Fuel		Diesel
Cooling		Liquid
Bore	in (mm)	3.3 (84)
Stroke	in (mm)	3.9 (100)
Gross power @ 2800 RPM (ISO 14396)	hp (kW)	39 (29)
Gross torque @ 1800 RPM (ISO 14396)	Nm	120
Emission certification		T4F
Engine oil service intervals		500 hrs

TRANSMISSION		
		504-13
Type		Hydrostatic
Model		Rexroth AA4VG4
<b>Travel speed</b>		
Low range	mph (km/h)	6 (10)
High range	mph (km/h)	10 (20)
Steering modes		4WS
Wheel drive		4WD

ELECTRICAL SYSTEM		
		504-13
System voltage	V	12
Alternator output	Ah	85
Battery capacity	Ah	80

HYDRAULICS		
		504-13
Main service pump operating pressure	bar (psi)	3,625 (250)
Flow at system pressure (@2800 rpm)	gal/min (l/min)	15.9 (60)
Maximum auxiliary flow (@2800 bar)	gal/min (l/min)	15.9 (60)
<b>Cycle times</b>		
Boom raise	Seconds	6.7
Boom lower	Seconds	4.3
Extend	Seconds	6.7
Retract	Seconds	3.7
Bucket dump	Seconds	3.9
Bucket crowd	Seconds	3.5

SERVICE CAPACITIES		
		504-13
Fuel tank	gal (l)	16.1 (61)
Hydraulic tank	gal (l)	8.7 (33)
Engine oil sump	gal (l)	1.2 (5.5)
Engine coolant system	gal (l)	5.8 (22)

BRAKES		504-13
Service brakes		Hydraulically activated disc brake on the transmission output shaft
Parking brake		Manually operated disc brake on the transmission output shaft

BOOM AND CARRIAGE		504-13
Compact tool carrier - manual pin locking		•
Compact tool carrier - hydraulic pin locking		•
Skid steer hitch - manual pin locking		•

Boom is manufactured from high tensile steel. Low maintenance, hard wearing pads. JCB compact tool carrier parallel lift carriage with manual or hydraulic pin locking, accepts forkframe with integral pallet forks and a wide range of attachments. Compact Tool Carrier: Compact Loadall compatibility. Skid Steer Tool Carrier: Skid steer universal compatibility hitch.

CAB	
Quiet, safe and comfortable cab conforms to ROPS ISO3471 and FOPS ISO 3449. Arm rest. Tinted glass all round with laminated front and roof screen. Front, rear screen wash/wipe and heater/screen demister. Opening door window. Optional air-conditioning or face-level fan. Visual warning system for coolant temperature, engine oil pressure, air cleaner, battery charge, transmission oil pressure, engine temperature, fuel gauge and hourmeter. Boom control joystick incorporating forward/reverse switch. Throttle and brake pedals floor mounted. Optional fabric or vinyl adjustable, suspension seat with side mounted park brake lever.	

OPTIONS AND ACCESSORIES	
<b>Options:</b> Road lights, work lights, rotating flashing beacon, fire extinguisher, front screen guard, sun blind, traction, industrial or semi-turf tires, mechanical or hydraulic compact tool carrier quickhitch or Skid Steer quickhitch, battery isolator, air conditioning, face level fan, radio/speaker kit, reverse alarm, high-vis mirror, wheel chock, grease gun, lifting points.	
<b>Attachments:</b> GP shovel with toeplate, industrial or floating forks, power grab, sweeper/collector and more.	

