



# STAR 26 J



## OPTIMAL AGILITY IN CONFINED WORKING AREAS

- > Dynamic electric drive  
AC motors
- > Zero tail swing
- > 9 ft 10 in outreach with jib

## MINIMAL MAINTENANCE AND DOWNTIME

- > Maintenance free brushless AC motors
- > Haulotte Activ'Screen onboard diagnostic tool
- > Haulotte Activ'Energy Management takes care of your batteries
- > Almost 0 battery maintenance: automatic & centralized waterfilling system

## LONGER LIFETIME

- > Unbreakable hoods in composite material
- > Pins, bushes, non-painted parts and fastening hardware are 3 times more durable

## SMARTER TRANSPORT

- > Versatile and effective transport solutions with forklift pockets
- > 25% gradeability to easily climb truck ramps



866 874-0584 AERIALTITANS.COM

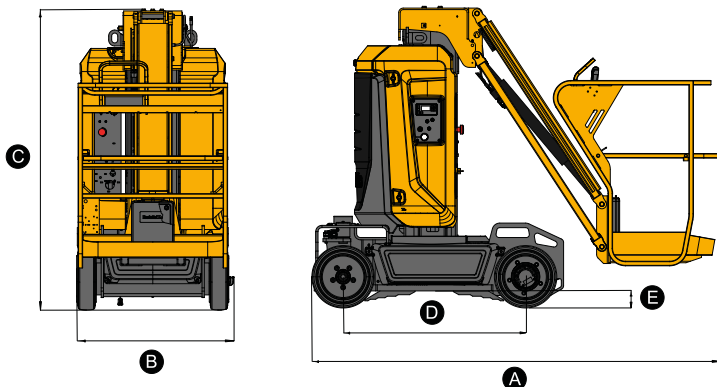
# STAR 26 J

## AERIAL TITANS

### VERTICAL MASTS TECHNICAL DATA

#### STAR 26 J

Working height	32 ft 1 in
Platform height	26 ft 1 in
Horizontal outreach	9 ft 10 in
Lift capacity	500 lb (2 pers.)
Lift capacity - outside	500 lb (1 pers.)
Platform size	2 ft 7 in x 3 ft 3 in
<b>A</b> Length	8 ft 10 in
<b>B</b> Width	3 ft 3 in
<b>C</b> Height - stowed	6 ft 6 in
Tailswing	0 in
<b>D</b> Wheelbase	3 ft 11 in
<b>E</b> Ground clearance	4 in
Driveable at full height up to	26 ft 1 in
Drive speed	0.4 - 3.1 mph
Turning radius - outside	6 ft 2 in
Turntable rotation	345 °
Vertical jib rotation	130° (+ 70 ° / - 60 °)
Tilt alarm	3 °
Gradeability	25 %
Tires	16 x 5 x 10.5
Hydraulic tank capacity	2 gal
Batteries	24 V - 250 Ah
Weight	6,400 lb



### STANDARD EQUIPMENT

- > Haulotte Activ'Energy Management: Smart CAN charger
- > Automatic centralized battery filling
- > 24 V electric drive brushless AC motors
- > 24 V - 250 Ah traction batteries
- > Battery charge indicator
- > Haulotte Activ'Screen on-board diagnostic tool
- > Forklift pockets
- > Towing hooks and lifting eyes
- > Pothole protection
- > 2 Front drive wheels
- > 2 Rear steering wheels
- > Non-marking tires
- > Brake release
- > Hourmeter
- > Horn
- > Emergency stop buttons at platform and ground level
- > Load controller in the platform
- > Emergency hand pump
- > 2 control stations - platform and ground level
- > 2 Lanyard attachment points
- > Drop bar entry
- > Travel alarm

### OPTIONS AND ACCESSORIES

- > Haulotte Activ'Shield Bar
- > AC Power to the platform (Standard on US machines)
- > Air line to the platform
- > Swing door entry gate (Standard on US machines)
- > Biodegradable oil
- > Maintenance-free batteries
- > Telematics ready
- > Hydraulic oil for cold climates
- > Flashing light
- > Working light

