

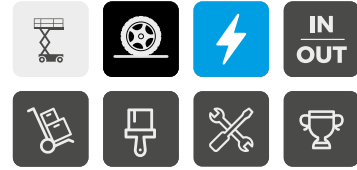
WARRANTY

HAULOTTE

5 YEARS



OPTIMUM 1931 AC



BEST DRIVING AND LIFTING EXPERIENCE

- > AC powered
- > Precision driving control
- > Smooth proportional motions
- > Excellent turning radius

ULTIMATE VERSATILITY

- > Pass through standard doorways
- > Mobile pothole protection
- > Indoor - outdoor rated

MINIMAL MAINTENANCE AND DOWNTIME

- > Maintenance free AC motors
- > Easy access swing out trays
- > Haulotte Activ'Screen (onboard diagnostics)
- > Smart transportability

LONGER LIFETIME

- > Haulotte Activ'Energy Management takes care of your batteries
- > Extreme durability
- > Optimized total cost of ownership

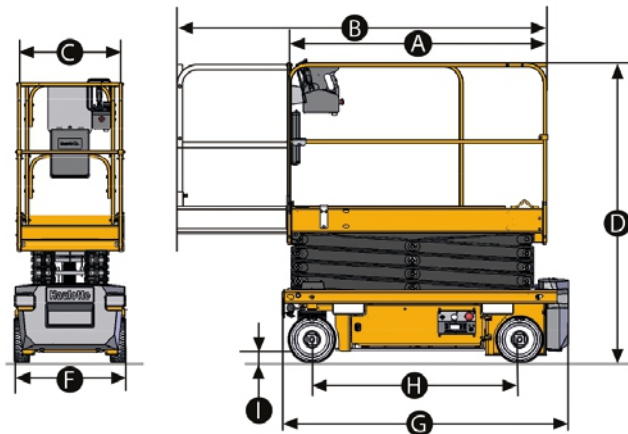
OPTIMUM 1931 AC

ELECTRIC SCISSOR LIFTS

TECHNICAL DATA

OPTIMUM 1931 AC

Working height	24 ft 11 in
Platform height	18 ft 11 in
Driveable at full height up to	18 ft 11 in
Lift capacity - inside	500 lb (2 pers.)
Lift capacity - outside	500 lb (1 pers.)
Lift capacity - extension	265 lb
A Platform length - outside	5 ft 8 in
B Platform length - extended	8 ft 6 in
Extension length	2 ft 10 in
C Platform width - outside	2 ft 5 in
D Height - stowed	6 ft 6 in
F Overall width	2 ft 7 in
G Length	6 ft 3 in
H Wheelbase	4 ft 6 in
I Ground clearance	4 in
Ground clearance - pothole guards deployed	1 in
Drive speed	0.3 - 3,1 mph
Gradeability	25 %
Tilt alarm	1.5° / 3°
Turning radius - outside	4 ft 11 in
Batteries	24 V - 225 Ah (C20)
Hydraulic system capacity	1.6 gal
Weight	3,505 lb

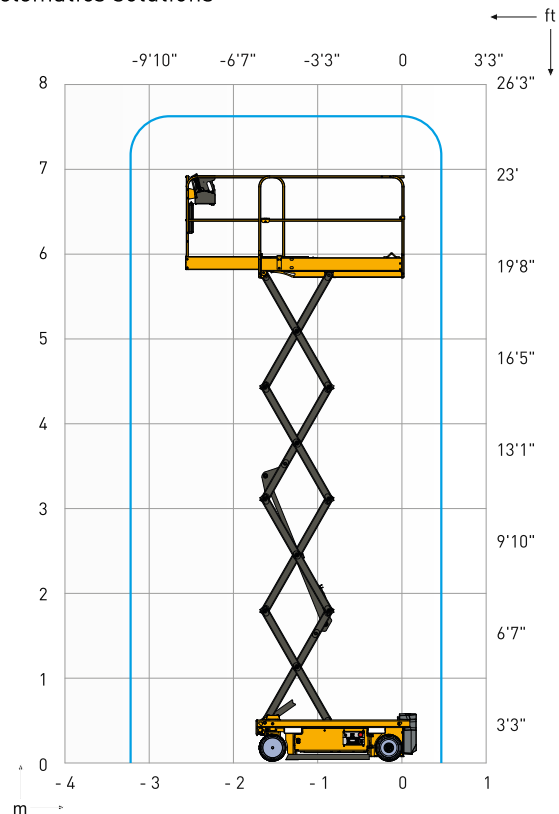


STANDARD EQUIPMENT

- > Haulotte Activ'Screen (battery charge, hourmeter, service alerts & failure icons in code or in full text...)
- > Haulotte Activ'Energy Management: Smart CAN charger
- > 24 V electric drive brushless AC motors
- > Battery level indicator on upper and lower control boxes
- > 2 front steering and 2 rear driving wheels
- > 2 swing out trays
- > Mobile pothole guards
- > Lateral fork lifting pockets
- > Electrical or manual brake release system
- > Proportional controls
- > Tilt sensor
- > Lifting and tie down points
- > Non-marking tires

OPTIONS AND ACCESSORIES

- > Haulotte Activ'Energy Management: automatic or manual battery waterfilling system
- > Folding guardrails
- > Panel carrier
- > Pipe cradle
- > AGM maintenance-free batteries
- > Work light
- > Dual flashing beacons
- > Cold weather hydraulic oil
- > Telematics solutions



**AERIAL
TITANS**

866 874-0584 AERIALTITANS.COM