

WARRANTY

HAULOTTE
5 YEARS

COMPACT 2032 E
COMPACT 2632 E DUAL



SMART RUGGED DESIGN

- > Impact-proof counterweight with integrated ladder protection, AC motors and charger plug
- > Reinforced guardrails with additional vertical stiles for maximum durability

MAXIMIZED POTENTIAL

- > Access all worksites: foldable guardrails, lateral & longitudinal forklift pockets
- > IN/OUT usage with no platform weight capacity restriction

UNIQUE USER EXPERIENCE

- > Proportional movements for precise driving (AC motors)
- > Ergonomic upper control box with grab handle & speed selector

UNBEATABLE SERVICEABILITY

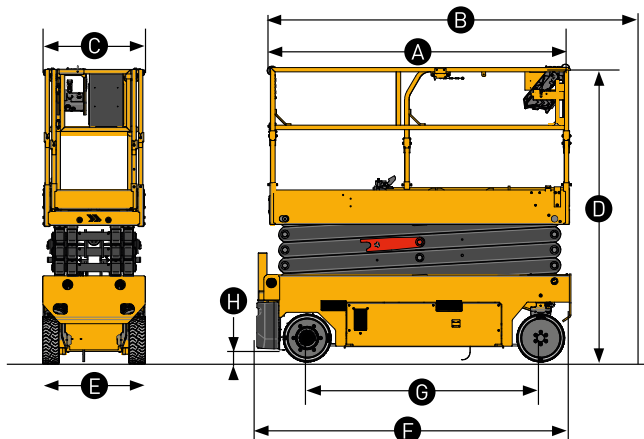
- > Haulotte Activ'Energy Management for battery care
- > On-board & remote settings and diagnostic tools with Haulotte Diag, Haulotte Activ'Screen and Sherpal telematics solution

COMPACT 2032 E COMPACT 2632 E DUAL

ELECTRIC SCISSOR LIFTS

TECHNICAL DATA

	COMPACT 2032 E	COMPACT 2632 E DUAL
Working height indoor	25 ft 8 in	31 ft 7 in
Working height outdoor	25 ft 8 in	23 ft 1 in
Platform height indoor	19 ft 8 in	25 ft 7 in
Platform height outdoor	19 ft 8 in	17 ft 1 in
Driveable up to indoor	19 ft 8 in	25 ft 7 in
Driveable up to outdoor	19 ft 8 in	17 ft 1 in
Lift capacity - inside	770 lb (2 pers.)	550 lb (2 pers.)
Lift capacity - outside	770 lb (1 pers.)	550 lb (1 pers.)
Lift capacity - extension	265 lb	
A Platform length - outside	7 ft 10 in	
B Platform length - extended	10 ft 11 in	
Extension length	37 in	
C Platform width - outside	32 in	
D Height - stowed	7 ft 4 in	7 ft 9 in
Height - guardrails lowered	6 ft	6 ft 4 in
E Overall width	32 in	
F Length	8 ft 2 in	
G Wheelbase	6 ft 1 in	
H Ground clearance	5 in	
Ground clearance - pothole guards deployed	1 in	
Drive speed	0.43 / 0.93 / 2.61 mph	
Gradeability	25 %	
Tilt (longitudinal / lateral)	3.5° / 1.5°	
Turning radius - outside	6 ft 9 in	
Non-marking tires	15 x 5	
Batteries	24 V - 225 Ah (C20)	
Hydraulic system capacity	3 gal	
Weight	4,675 lb	4,763 lb

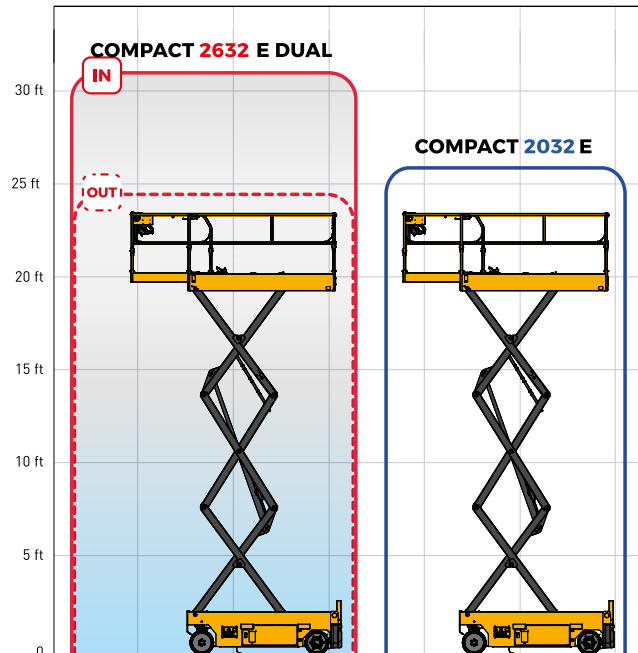


STANDARD EQUIPMENT

- > Haulotte Activ'Energy Management: Smart CAN charger
- > 27A multivoltage charger
- > Battery access with swing out tray
- > Battery level indicator
- > Haulotte Activ'Screen (battery charge information, hourmeter, service alerts & failures in code or in text...)
- > Lateral & longitudinal forklift pockets
- > Foldable guardrails
- > Front platform extension
- > AC motors
- > Mobile upper control box
- > 2 drive speeds selector
- > Manual emergency descent
- > Mobile pothole guards
- > MyHaulotte multi-services portal access
- > 2 front steering wheels, 2 rear drive wheels
- > Solid non marking tires
- > Motion alarm
- > Electric brake release system
- > Swing gate entry
- > Basket plug (110 / 230 V)
- > Manual selection for inside use (Dual only)
- > Single flashing light

OPTIONS AND ACCESSORIES

- > Haulotte Activ'Energy Management: automatic or manual battery water filling systems
- > AGM maintenance-free batteries
- > Telematics solutions
- > Pipe cradle
- > Panel carrier
- > Additional protection of upper & lower control box
- > Working light
- > Flashing light (dual or 360°)
- > Biodegradable hydraulic oil
- > Cold weather hydraulic oil
- > Secondary guarding system



**AERIAL
TITANS**

866 874-0584 AERIALTITANS.COM