

Genie® TZ™ -34/20 & TZ-50

Specifications



Models	TZ-34/20		TZ-50	
Measurements	US	METRIC	US	METRIC
Working height max. - ⁽¹⁾	40 ft	12.19 m	55 ft 6 in	16.92 m
Platform height	34 ft	10.36 m	49 ft 6 in	15.09 m
Entry height- extended	6.4 in	0.16 m	1 ft 8 in	0.51 m
Horizontal reach	18 ft 4 in	5.59 m	29 ft 2 in	8.89 m
Clear out reach	13 ft 5 in	4.09 m	23 ft 1 in	7.04 m
Up-and-over clearance	16 ft 1 in	4.90 m	22 ft	6.71 m
A Platform length	2 ft 2.8 in	0.68 m	2 ft 2.8 in	0.68 m
B Platform width	3 ft 8 in	1.12 m	3 ft 8 in	1.12 m
C Height - stowed	6 ft 4.5 in	1.94 m	6 ft 10 in	2.08 m
D Length- stowed	18 ft 0.5 in	5.50 m	23 ft 6 in	7.16 m
E Width- stowed	4 ft 9.1 in	1.45 m	5 ft 6 in	1.68 m
F Ground clearance	9.5 in	0.24 m	10 in	0.25 m
G Length-outrigger footprint	10 ft 8.4 in	3.26 m	14 ft 4 in	4.37 m
H Width-outrigger footprint	11 ft 9.4 in	3.59 m	14 ft 4 in	4.37 m

Productivity

Lift capacity (ANSI, CSA) - standard	500 lb	227 kg	500 lb	227 kg
Lift capacity (ANSI, CSA) - rotating platform	460 lb	209 lb	500 lb	227 kg
Lift capacity (CE/AUS) - standard	440 lb	200 kg	440 lb	200 kg
Lift capacity (CE/AUS) - rotating platform	400 lb	181 kg	440 lb	200 kg
Platform rotation - mechanical	90°		-	
Platform rotation - hydraulic	-		160°	
Turntable rotation	359°	359°	359°	359°
Outrigger leveling capability	11°		11°	
Towing speed rate	60 mph	97 km/h	60 mph	97 km/h
Tongue weight - ANSI, CSA	315 lb	143 kg	400 lb	181 kg
Tongue weight - CE	163 lb	74 kg	220 lb	100 kg
Tire size - ANSI, CSA	ST 205/75 R15		ST 225/75 R15	
Tire size - CE	185R-14C		215 R14C	

Power

Power source- standard	24V (4×6V 225Ah)		24V (4×6V 225Ah)	
Hydraulic tank capacity	2.65 gal	10L	4.75 gal	18L
Hydraulic system capacity	4.5 gal	17L	8.0 gal	30L

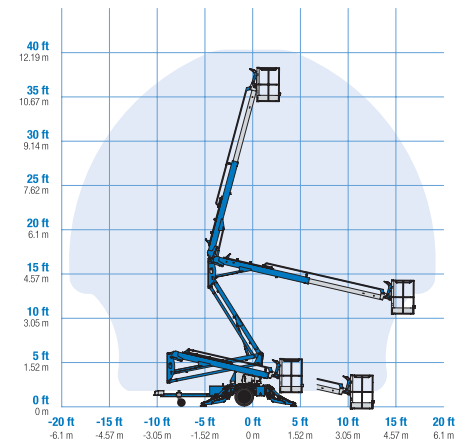
Weight⁽³⁾

Weight- ANSI, CSA, Australia	3,155 lb	1,431 kg	4,400 lb	1,996 kg
Weight- CE	3,170 lb	1,438 kg	4,475 lb	2,030 kg

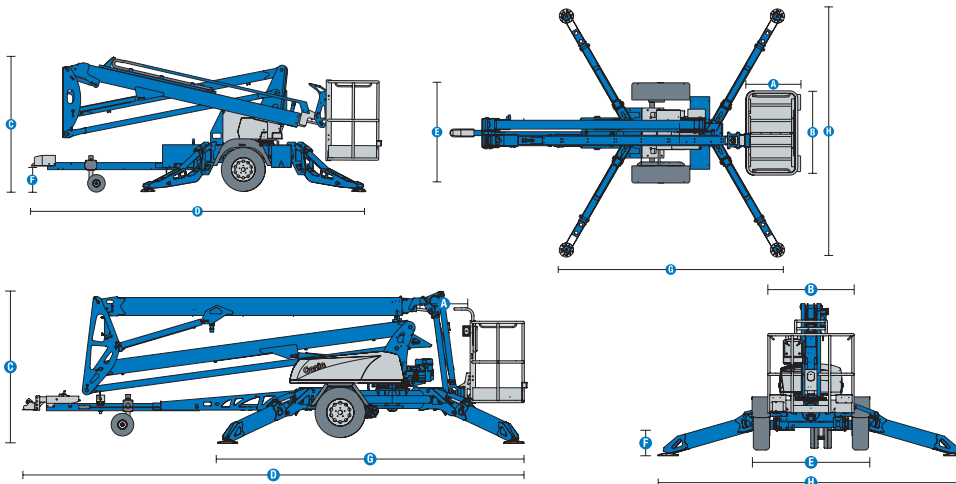
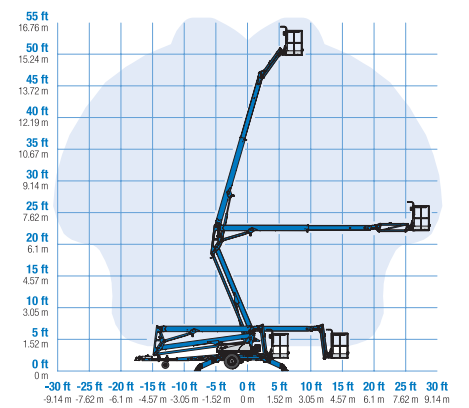
Sound and Vibration Levels

Sound Pressure level (ground workstation)	< 70 dBA	< 70 dBA
Sound Pressure level (platform workstation)	< 70 dBA	< 70 dBA
Vibrations	< 2.5 m/s ²	< 2.5 m/s ²

Range of motion TZ-34/20



Range of motion TZ-50



Genie® TZ™ -34/20 & TZ-50

SKU: Standard Model

- **TZ340001AD0001:** TZ-34 DC
- **TZ500001AD0002:** TZ-50 DC
- **TZ500001AD0001:** TZ-50 DC, Hybrid

* Build to Order



Option availability	S	S+	BtO
Power			
Standard battery	✓	✓	✓
High capacity battery		○	○
Bi-Energy, Honda Gas	✓	✓	✓
Battery charge indicator (BCI)		○	○
24V DC Power	✓	✓	✓
Platform			
Horn		○	○
AC wiring to platform	✓	✓	✓
Aluminum 26.8in x 44in platform	✓	✓	✓
Hydraulic platform rotation 160 degrees (TZ-50)			○
Manual platform rotation 90 degrees (TZ-34)			○
Tilt alarm sensor	✓	✓	✓
Variable speed control system	✓	✓	✓
Chassis			
Lift Connect Telematics		○	○
Lift Connect with Access Manager upgrade		○	○
2 in Ball Bulldog coupler		○	○
Combination hitch with choice of coupler	✓	✓	✓
2 in Ball Leverlock coupler	✓	✓	✓
2 5/16 in Ball Leverlock coupler		○	○
Clevis coupler		○	○
I.D. pintle ring coupler 2 1/2 in		○	○
Drive and set option			○
Flashing beacon		○	○
Non-marking outrigger foot pads		○	○
Spare tire		○	○
10in solid plastic wheel	✓	✓	✓
355 degree non-continuous rotation	✓	✓	✓
Automatic 11 degree leveling system	✓	✓	✓
Auxiliary platform descent	✓	✓	✓
Highway safety chains with snap lock	✓	✓	✓
Hour meter	✓	✓	✓
Hydraulic outriggers	✓	✓	✓
Hydraulic surge brakes	✓	✓	✓
Illuminated outrigger indicators	✓	✓	✓
LED brake light	✓	✓	✓
Mechanical parking brake	✓	✓	✓
Outrigger interlocks	✓	✓	✓

Drive and set option available for TZ-50 only

- S Standard
- S+ Standard +
- BtO Build to Order
- ✓ Standard Features
- Options



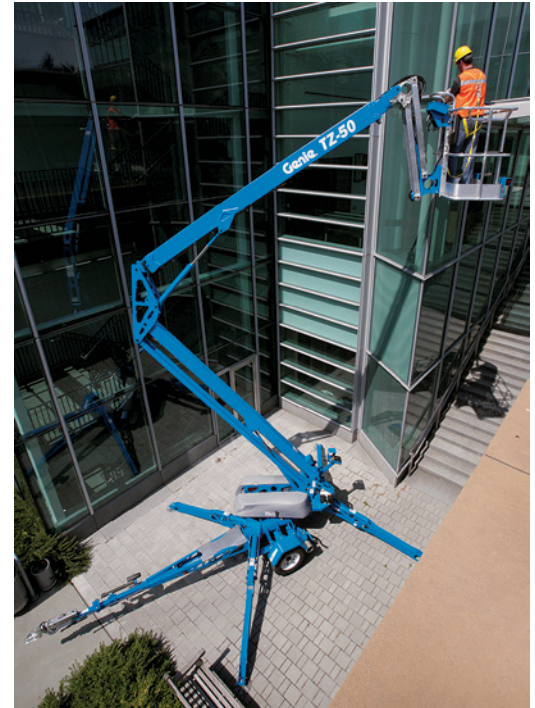
Truck Towable



Quick Setup



Low Floor Loading



Genie Genuine Accessories⁽¹⁾

- Ball coupler 2 5/16 in
- Clevis coupler
- Dual 10in air-filled tires (TZ-34/20 only)
- I.D. pintle ring coupler 2 1/2 in

(1) More accessories available from Genie Genuine Parts.



(866)874-0584 AERIALTITANS.COM

Product specifications are subject to change without notice or obligation. Photographs and/or drawings herein are for illustrative purposes only. Refer to the appropriate Operator's Manual for instructions on proper equipment use. Failure to follow instructions in the Operator's Manual may result in serious injury or death. The only warranty applicable to our equipment is the standard written warranty applicable to the particular product and sale and we make no other warranty, express or implied. Products and services listed may be trademarks, service marks or trade names of Terex Corporation and/or their subsidiaries in the USA and many other countries. Terex, Genie, Quality By Design, Xtra Capacity, Lift Power, Lift Guard, Lift Tools, Lift Connect and Tech Pro Link are registered trademarks of Terex Corporation or its subsidiaries.

