

# Genie® S®-40 HF & S-45 HF

## Specifications



Models	S-40 HF		S-45 HF	
Measurements	US	Metric	US	Metric
Working height max.(1)	45 ft 6 in	13.87 m	50 ft 6 in	15.56 m
Platform height max.	39 ft 6 in	12.04 m	44 ft 6 in	13.56 m
Horizontal reach max.	28 ft 11 in	8.81 m	34 ft	10.36 m
Below ground reach	1 ft	0.30 m	4 ft 2 in	1.27 m
A Platform length (8 ft/6 ft)	3 ft/2 ft 6 in	0.91 m/0.76 m	3 ft/2 ft 6 in	0.91 m/0.76 m
B Platform width (8 ft/6 ft)	8 ft/6 ft	2.44 m/1.83 m	8 ft/6 ft	2.44 m/1.83 m
C Height - stowed	8 ft 3 in	2.51 m	8 ft 3 in	2.51 m
D Length - stowed	26 ft 4 in	8.03 m	31 ft 1 in	9.47 m
E Width	8 ft 5 in	2.56 m	8 ft 5 in	2.56 m
F Wheelbase	8 ft 1 in	2.46 m	8 ft 1 in	2.46 m
G Ground clearance - center	12.5 in	0.32 m	12.5 in	0.32 m
H Height under counterweight	3 ft 4 in	1.02 m	3 ft 4 in	1.02 m

## Productivity

Lift capacity max. - unrestricted	600 lb	272 kg	600 lb	272 kg
Number of Platform Occupants	2		2	
Platform rotation	160°		160°	
Jib length	—		5 ft	1.52 m
Vertical jib rotation (up/down)	—		133°	
Turntable rotation	360°		360°	
Turntable tailswing	36 in	0.91 m	36 in	0.91 m
Drive speed - stowed	4.0 mph	6.4 km/h	4.0 mph	6.4 km/h
Drive speed - raised	0.68 mph	1.1 km/h	0.68 mph	1.1 km/h
Gradeability - stowed <sup>(2)</sup>	45 %		45 %	
Tilt sensor activation (front to back/side to side)	5° / 5°		5° / 5°	
Turning radius - inside/outside	6 ft 9 in/17 ft 3 in	2.06 m/5.26 m	6 ft 9 in/17 ft 3 in	2.06 m/5.26 m
Tires	33/16LL500		33/16LL500	

## Power

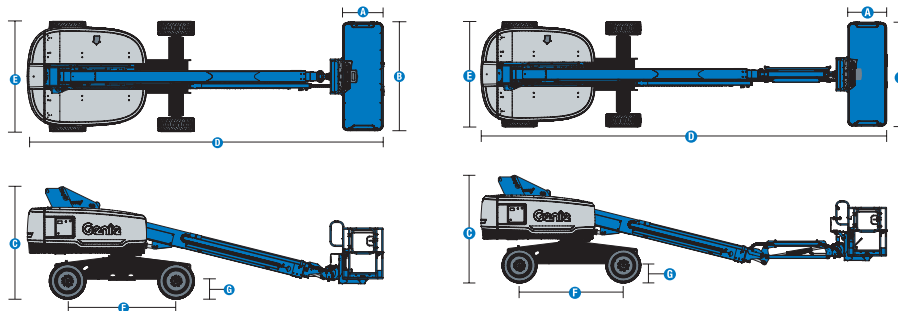
	Diesel		Diesel	
Power				
Hydraulic tank capacity	38 gal	144 L	38 gal	144 L
Fuel tank capacity	35 gal	132 L	35 gal	132 L

## Weight(3) and Floor Loading<sup>(4)</sup>

Weight	13,544 lb	6,143 kg	15,720 lb	7,130 kg
Tire contact pressure	38 psi	262 kPa	38 psi	262 kPa
Occupied floor pressure	155 psf	7.44 kPa	180 psf	8.63 kPa

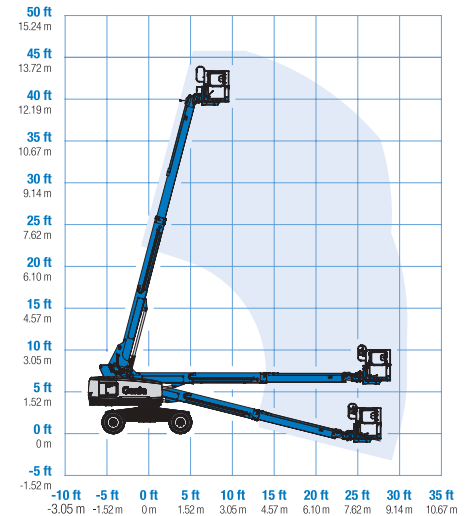
## Sound and Vibration Levels

Sound Pressure level (ground workstation)	89 dBA	89 dBA
Sound Pressure level (platform workstation)	77 dBA	77 dBA
Vibrations	< 2.5 m/s <sup>2</sup>	< 2.5 m/s <sup>2</sup>

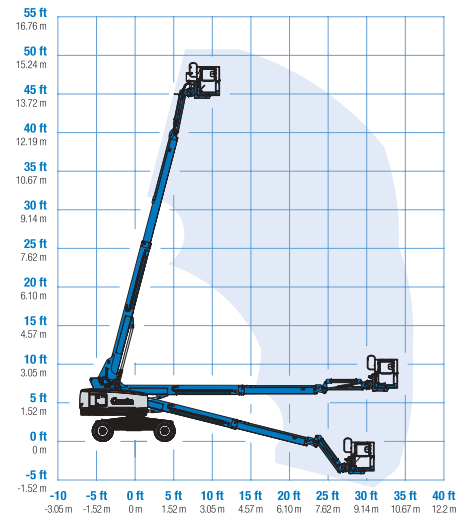


(1) The metric equivalent of working height adds 2m to platform height. The imperial equivalent adds 6ft to platform height.  
 (2) Gradeability applies to driving on slopes and may vary depending on options and machine configurations. See operator's manual for details regarding slope ratings.  
 (3) Weight refers to standard configuration and may vary depending on options and/or country standards.  
 (4) Floor loading information is approximate and may vary depending on options and machine configurations. It should be used only with adequate safety factors.

## Range of motion S-40 HF



## Range of motion S-45 HF



(866)874-0584 AERIALTITANS.COM

# Genie® S® -40 HF & S-45 HF

**SKU: Standard Model**

- **S40XC001AF0013:** S-40 HF, 4WD\*
- **S40XC001AF0012:** S-40 HF, Lift Power 3kW, 4WD\*
- **S40XC001AF0011:** S-40 HF, Lift Power 12kW Welder Ready, 4WD\*

**SKU: Standard Model**

- **S40XC001AF0031:** S-45 HF, Lift Power 12kW Welder Ready, 4WD\*
- **S40XC001AF0030:** S-45 HF, Lift Power 3kW, 4WD\*

\* Build to Order



Option availability	S	S+	BtO
<b>Power</b>			
49 hp, 37 kW, Deutz D2.9L, Diesel, T4f	✓	✓	✓
60 hp, 45 kW, Ford 2.5L, Gas/LPG			○
Cold weather package			○
Diesel air intake pre-cleaner			○
Positive air shutdown system			○
Anti-restart engine protection	✓	✓	✓
Auto engine fault shutdown	✓	✓	✓
In cylinder glow plug (diesel only)	✓	✓	✓
<b>Platform</b>			
6ft/1.83m dual-entry platform with side swing gate			○
8ft/2.44m tri-entry platform with side swing gate	✓	✓	✓
Dual axis joystick steering	✓	✓	✓
Thumb rocker steering			○
Air line to platform			○
Control box covers		○	○
Lift Guard Full Mesh panels			○
Lift Guard Half Mesh panels			○
Light Package: drive and work lights		○	○
Platform auxiliary top rail			○
Lift Power 3kW AC Generator, 110V/60Hz			○
Lift Power 3kW AC Generator, 220V/50Hz			○
Lift Power 12kW Welder Ready AC Generator			○
Drive enable system	✓	✓	✓
Horn	✓	✓	✓
Lift Guard Contact Alarm	✓	✓	✓
Lift Tools Work Tray	✓	✓	✓
Platform load sense system	✓	✓	✓
Proportional controls	✓	✓	✓
Self-leveling platform	✓	✓	✓
<b>Chassis</b>			
Telematics-ready connector	✓	✓	✓
Lift Connect Telematics	✓	✓	✓
Lift Connect with Access Manager upgrade		○	○
Biodegradable hydraulic oil			○
Cold weather hydraulic oil			○
Fire resistant hydraulic oil			○
High floatation, air-filled tires		○	○
Deluxe hostile environment kit			○
Hostile environment kit			○
LPG tank 33.5 lb			○
Tow package			○
Active oscillating axle	✓	✓	✓
Alarm package: includes flashing beacon and travel alarm	✓	✓	✓
Chassis tilt lift and drive function cut-out	✓	✓	✓
Descent, tilt and motion alarm	✓	✓	✓
Dual battery system	✓	✓	✓
Hour meter	✓	✓	✓
Hydraulic oil cooler	✓	✓	✓
Tech Pro Link connector	✓	✓	✓

Positive air shutdown system for Deutz engines only

- S Standard
- S+ Standard +
- BtO Build to Order
- ✓ Standard Features
- Options



Sensitive Terrains



Rugged Terrainability



660lb/300kg Capacity Jib



Genie Genuine Accessories<sup>(1)</sup>

- Lift Tools Productivity Tools
- Lift Connect Telematics
- Tech Pro Link Handheld Device

(1) More accessories available from Genie Genuine Parts.

Product specifications are subject to change without notice or obligation. Photographs and/or drawings herein are for illustrative purposes only. Refer to the appropriate Operator's Manual for instructions on proper equipment use. Failure to follow instructions in the Operator's Manual may result in serious injury or death. The only warranty applicable to our equipment is the standard written warranty applicable to the particular product and sale and we make no other warranty, express or implied. Products and services listed may be trademarks, service marks or trade names of Terex Corporation and/or their subsidiaries in the USA and many other countries. Terex, Genie, Quality By Design, Xtra Capacity, Lift Power, Lift Guard, Lift Tools, Lift Connect and Tech Pro Link are registered trademarks of Terex Corporation or its subsidiaries.

04/25



(866)874-0584 AERIALTITANS.COM

