

Genie® GTH™ -1044

Specifications

Models	GTH-1044	
Measurements	US	METRIC
Maximum lift height	44 ft 7 in	13.59 m
Maximum forward reach	30 ft 7 in	9.33 m
Reach at maximum height	4 ft 6 in	1.37 m
A Height, stowed	8 ft 5 in	2.57 m
B Length, stowed (without forks)	22 ft 2 in	6.76 m
Width	8 ft 6 in	2.59 m
C Wheelbase	11 ft 6 in	3.51 m
D Ground clearance, center	1 ft 3 in	0.38 m
E Ground clearance, axle	1 ft 6 in	0.46 m
Fork cross section	2×4in	51×101mm

Productivity

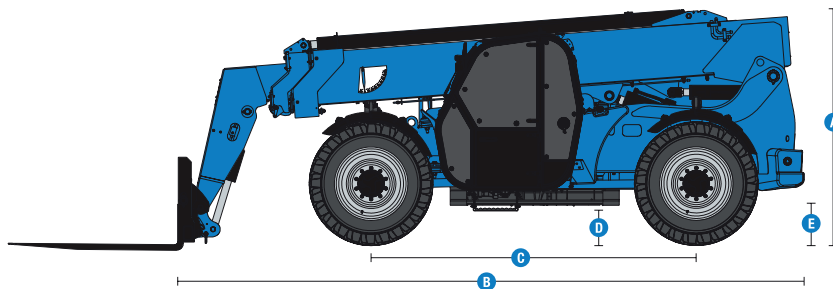
Maximum lift capacity	10,000 lb	4,536 kg
Lift capacity at maximum height	8,000 lb	3,629 kg
Lift capacity at maximum reach	4,000 lb	1,814 kg
Drive speed	18 mph	29 km/h
Boom up/down	13.12/11.23sec	
Boom extend/retract	19.37/25.83sec	
Draw bar pull	23,000 lb (74hp PS)	10,433 kg (74hp PS)
Frame leveling (side to side)	10°	
Turning radius, outside (4WS)	13 ft 11 in	4.24 m
Auxiliary hydraulic flow	2-15 gpm	7.6-56.8 lpm
Auxiliary hydraulic pressure	3,200 psi	220.6 bar
Tires, standard size	14×28in	0.35×0.71m

Power

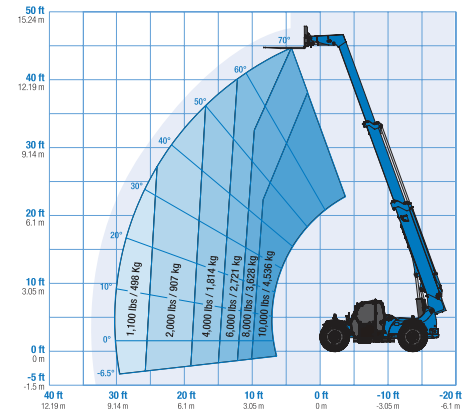
Power source	Deutz TCD 3.6 L4	
Electrical system voltage	12V	
Alternator	95 amp	
Battery	1000 CCA 0°F (-18°C)	
Hydraulic tank capacity	27 gal	102.2L
Hydraulic system capacity (w/tank)	52 gal	196.8L
Fuel tank capacity	30 gal	113.6L

Weight

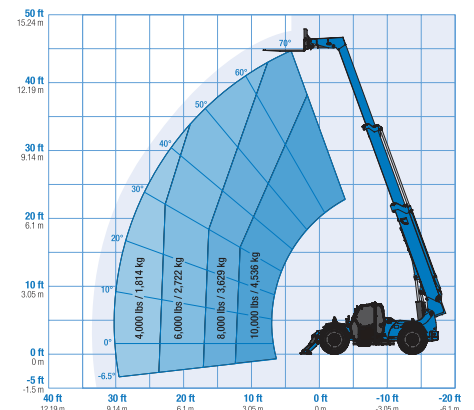
Weight*	26,700 lb	12,111 kg
---------	-----------	-----------



Range of motion GTH-1044 without stabilizers



Range of motion GTH-1044 with stabilizers down



(866)874-0584 AERIALTITANS.COM

(1) Weight will vary depending on options and/or country standards.
 (2) Load ratings vary depending on attachment.

Genie® GTH™ -1044

AERIAL TITANS

SKU: Standard Model

- **GTH10441AF0001:** GTH-1044, 74 hp, PS, No stabilizers, Open cab, FF Enduro A/T Tires
- **GTH10441AF0002:** GTH-1044, 74 hp, PS, No stabilizers, Open cab, Solid Tires

* Build to Order

SKU: Standard Model

- **GTH10441AF0003:** GTH-1044, 74 hp, PS, No stabilizers, Closed cab w/ AC and heater, FF Enduro A/T Tires
- **GTH10441AF0004:** GTH-1044, 74 hp, PS, No stabilizers, Closed cab w/ AC and heater, Solid Tires

Option availability	S	S+	BtO
Cab			
Open cab*	✓	✓	✓
Closed cab*: Heater, defrost, wipers, washer, split door			○
Closed cab*: AC, heater, defrost, wipers, washer, split door	✓	✓	✓
Front and top glass			○
Lift Guard White Noise Alarm			○
Rear Proximity Alarm			○
Rear Proximity Alarm Ready			○
Rear proximity alarm with back-up camera and display			○
Fire extinguisher			○
3in/7.6cm high visibility red retractable seat belt	✓	✓	✓
Adjustable suspended seat	✓	✓	✓
Backup alarm	✓	✓	✓
Full gauge cluster with engine diagnostics	✓	✓	✓
Fully proportional hydraulic boom controls	✓	✓	✓
Machine level indicator	✓	✓	✓
Mirrors - LH canopy mounted and RH chassis mounted	✓	✓	✓
Multi-function joystick controller	✓	✓	✓
Chassis			
74 hp, Deutz TCD 3.6, T4f, Side-mounted engine	✓	✓	✓
Telematics-ready		○	○
Lift Connect Telematics			○
Lift Connect with Access Manager upgrade			○
Cold weather package			○
Extreme cold weather package			○
Fenders set of four			○
Positive air shutdown system			○
Flashing beacon		○	○
Work lights: High output LED cab, boom, rear			○
Road and work lights: High output LED front, cab, boom, rear		○	○
Foam-filled Enduro A/T tires	✓	✓	✓
Solid rough terrain tires	✓	✓	✓
Air-filled Enduro A/T tires			○
Non-marking, foam-filled Enduro A/T tires			○
No stabilizers	✓	✓	✓
Stabilizers, twin front mounted			○
Lockable battery disconnect			○
3-mode power steering (2-wheel, 4-wheel coordinated and crab)	✓	✓	✓
Frame leveling +/- 10 degrees	✓	✓	✓
Full time 4WD with front and rear limited slip differential (LSD)	✓	✓	✓
Internal multiple wet disc brakes	✓	✓	✓
Powershift transmission (PS) 3-speed 74 hp	✓	✓	✓
Rear axle stabilizing system	✓	✓	✓
Spring applied, hydraulic release parking brake	✓	✓	✓
Tilt steering wheel	✓	✓	✓
Boom			
Genie manual Quick-Attach (QA) system	✓	✓	✓
Auxiliary hydraulic circuit (15 GPM)	✓	✓	✓
Boom angle indicator	✓	✓	✓
Lifting shackle at boom tip	✓	✓	✓
Self-leveling fork frame	✓	✓	✓

*All our cabs are ROPS/FOPS canopy

- S Standard
- S+ Standard +
- BtO Build to Order
- ✓ Standard Features
- Options



74 HP No DEF Engine



Lift Shackle



Optional Stabilizers



GTH Attachments

- Universal skid steer adapter (GTH-5519)
- QA Bucket .5cu.yd/0.38cu.m, 66in/1.67m (GTH-5519)
- QA Bucket 1cu.yd/0.76cu.m, 72in/1.82m (GTH-636, GTH-844)
- QA Bucket 1.5cu.yd/1.15cu.m, 96in/2.44m
- QA Carriage 48in/1.2m, 60in/1.5m, 72in/1.8m
- QA Fork positioner carriage 48in/1.2m
- QA Side shift carriage 48in/1.2m
- QA Side tilt rotating carr. 48in/1.2m, 60in/1.5m, 72in/1.8m
- QA Swing carriage 72in/1.8m
- QA Truss boom 8ft/2.44m Adjustable
- Cubing tines 48in (2x2x48in)/(.05x.05x1.2m) x 6
- Lumber forks 60in (1.75x7x60in)/(.04x.18x1.5m) x 2
- Pallet forks 48in (2x4x48in)/(.05x.1x1.2m) set of 2
- Pallet forks 60in (2x4x60in)/(.05x.1x1.5m) set of 2
- Pallet forks 72in (2x4x72in)/(.05x.1x1.8m) set of 2
- Pallet forks 96in (2x4x96in)/(.05x.1x2.4m) set of 2

Product specifications are subject to change without notice or obligation. Photographs and/or drawings herein are for illustrative purposes only. Refer to the appropriate Operator's Manual for instructions on proper equipment use. Failure to follow instructions in the Operator's Manual may result in serious injury or death. The only warranty applicable to our equipment is the standard written warranty applicable to the particular product and sale and we make no other warranty, express or implied. Products and services listed may be trademarks, service marks or trade names of Terex Corporation and/or their subsidiaries in the USA and many other countries. Terex, Genie, Quality By Design, Xtra Capacity, Lift Power, Lift Guard, Lift Tools, Lift Connect and Tech Pro Link are registered trademarks of Terex Corporation or its subsidiaries.